

Energy Meter Kits



Install an energy meter kit for a fast and easy energy management solution. With an included meter, enclosure, and LVCT, the meter kit is customizable according to your needs and easily installed. This compact, energy management solution allows you to understand energy use, meet compliance codes, access tenant sub-metering and improve energy costs.

Applications

- Energy code compliance / Green certifications
- Cost allocation / Tenant sub-metering
- Understand energy consumption / Performance contracting
- Energy management / Load shed / Demand response

Benefits

- Streamlined offer
- Easy selection
- Less kits to stock

All energy meter kits include:

Versatile single-phase/three-phase smart meter (A9MEM3455)

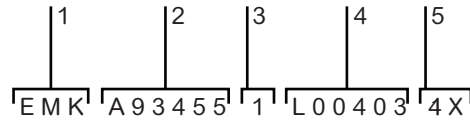
- Input voltage up to 277V Line to Neutral (L-N), up to 480V Line to Line (L-L)
- Signed, four-quadrant measurement of active and reactive energy delivered and received
- Real-time measurement of voltage, current, power, frequency, and power factor provide greater detail on energy usage
- Password-protected user interface with 3-line LCD display
- Wide -25° to +70° C temperature range
- Features for energy codes
 - Instantaneous kW demand with selectable interval
 - Manually resettable peak kW demand and kWh
- Features for integration
 - RS-485 Modbus communications
 - Digital output for energy pulsing or overload alarm
 - Digital input for status, tariff control, or input monitoring
- Certifications and approvals
 - Revenue grade ANSI C12.20 class 0.5S accuracy
 - California CTEP approved (specific models and low voltage current transformers)

Sturdy, attractive housing (EM3500ENC)

- NEMA Type 4X enclosure rating for indoor/outdoor durability, includes multiple methods for securing enclosure to protect from tampering and the elements
- DIN-rail mounting hardware for easy installation

Low voltage current transducers (LVCT series)

- 1, 2, or 3 provided per kit selection
- High accuracy: $\pm 1\%$ from 10% to 100% of rated current for split core; $\pm 0.5\%$ from 5% to 120% of rated current for solid core



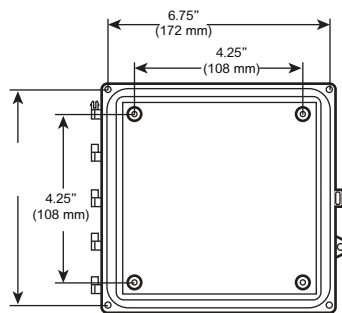
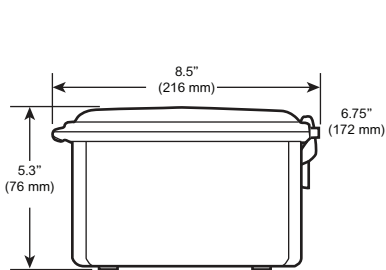
Ordering example: EMK A93455 1 L00403 4X

- 1 EMK = Energy meter kit
- 2 A93455 = A9MEM3455 meter
- 3 1 = Supplied with 1 LVCT
- 4 L00403 = LVCT00403S low voltage current transducer(s)
- 5 4X = NEMA Type 4X enclosure

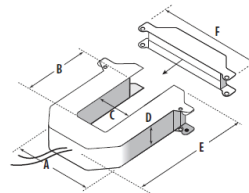
LVCT Models

	Current	P/N	Style	Size	Lead Length	A	B	C	D	E	F
Split-core	50A	LVCT00050S	1	0	6' (1.8M)	1.0" (26 mm)	0.5" (11 mm)	0.4" (10 mm)	0.9" (23 mm)	1.6" (40 mm)	
	100A	LVCT00101S	1	1	6' (1.8M)	1.5" (39 mm)	0.8" (20 mm)	0.7" (16 mm)	1.6" (40 mm)	2.1" (53 mm)	
	200A	LVCT00201S	1	1	6' (1.8M)	1.5" (39 mm)	1.25" (32 mm)	1.25" (32 mm)	2.5" (64 mm)	2.8" (71 mm)	
	100A	LVCT00102S	2	2	6' (1.8M)	3.8" (95 mm)	1.5" (38 mm)	1.3" (32 mm)	1.1" (29 mm)	3.9" (107 mm)	4.8" (121 mm)
	200A	LVCT00202S	2	2	6' (1.8M)						
	300A	LVCT00302S	2	2	6' (1.8M)						
	400A	LVCT00403S	2	3	6' (1.8M)	4.9" (124mm)	2.9" (73 mm)	2.5" (62 mm)	1.1" (29 mm)	5.3" (141 mm)	5.9" (150 mm)
	600A	LVCT00603S	2	3	6' (1.8M)						
	800A	LVCT00803S	2	3	6' (1.8M)						
	800A	LVCT00804S	2	4	6' (1.8M)						
	1000A	LVCT01004S	2	4	6' (1.8M)	4.9" (124 mm)	5.5" (140 mm)	2.5" (62 mm)	1.1" (29 mm)	8.1" (207 mm)	5.9" (150 mm)
	1200A	LVCT01204S	2	4	6' (1.8M)						
1600A	LVCT01604S	2	4	6' (1.8M)							
2000A	LVCT02004S	2	4	6' (1.8M)							
2400A	LVCT02404S	2	4	6' (1.8M)							
Solid-core	50A	LVCT20050S	3	0	6' (1.8M)	1.3" (33 mm)	1.5" (38 mm)	0.7" (18 mm)	0.8" (21 mm)	0.4" (10 mm)	
	100A	LVCT20100S	3	0	6' (1.8M)						
	200A	LVCT20202S	3	2	6' (1.8M)	2.3" (59 mm)	2.6" (66 mm)	0.7" (18 mm)	1.2" (31 mm)	1.0" (25 mm)	
	400A	LVCT20403S	3	3	6' (1.8M)	2.8" (70 mm)	3.2" (82 mm)	1.0" (25 mm)	1.4" (36 mm)	1.25" (31 mm)	

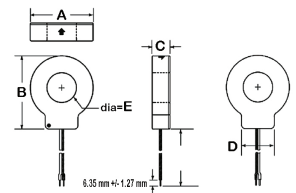
Enclosure Dimensions



Split-core CT



Solid-core CT



Wildcat Electric Supply/CED

www.wildcatelectric.com

7136760600

adam.burd@wildcatelectric.com



Authorized Partner

Schneider Electric

6700 Tower Circle
Franklin, TN 37067
1-888-797-6468

Life Is On

Schneider
Electric