



Modicon TM5

High-Performance and Safe IP20
Modular I/O System

[schneider-electric.com](https://www.schneider-electric.com)

A trusted partner of Schneider Electric



Life Is On



Quick access to product information

Get technical information about your product

References

Telefast Pre-wired System
Modicon ABE9 IP 67 passive splitter boxes

References					
Splitter boxes with connections by M2 connector					
Number of circuits	Connection by	LED indicator	Reference	Weight (kg)	
4	A-1012	Yes	ABE9C1012	0.270	
6	B-1012	Yes	ABE9C1012	0.320	
8	C-1012	Yes	ABE9C1012	0.370	
Splitter boxes with connections by Cable					
Number of circuits	Connection by	Length (mm)	Reference	Weight (kg)	
4	A-1012	5	ABE9C1012	0.280	
		10	ABE9C1012	0.330	
		15	ABE9C1012	0.380	
		20	ABE9C1012	0.430	
		25	ABE9C1012	0.480	
		30	ABE9C1012	0.530	
		35	ABE9C1012	0.580	
		40	ABE9C1012	0.630	
		45	ABE9C1012	0.680	
		50	ABE9C1012	0.730	
		55	ABE9C1012	0.780	
		60	ABE9C1012	0.830	
		65	ABE9C1012	0.880	
		70	ABE9C1012	0.930	
		75	ABE9C1012	0.980	
		80	ABE9C1012	1.030	
		85	ABE9C1012	1.080	
		90	ABE9C1012	1.130	
		95	ABE9C1012	1.180	
		100	ABE9C1012	1.230	

Schneider Electric

Add to favorites | Help | Historic

XB5AL73415
green flush/red projecting double-headed pushbutton Ø22 with marking

Download your XB5AL73415 datasheet

Change your selection

Discover other products & accessories

Discover your Schneider Electric tools

Characteristics | Dimensions Drawings | Mounting and Clearance | Documents & Downloads

Main

Range of product	Harmony XB5
Product or component type	Complete double-headed push-button
Device short name	XB5
Device material	Plastic
Fixing collar material	Plastic
Head type	Standard
Mounting diameter	22 mm
Shape of signaling unit head	Rectangular
Type of operator	Spring return
Operator profile	1 flush - 1 projecting push-buttons
Operator description	Green "I" - red "O"
Contacts type and composition	1 NO + 1 NC
Contact operation	Slow break

Each commercial reference presented in a catalog contains a hyperlink. Click on it to obtain the technical information of the product:

- Characteristics, Dimensions and drawings, Mounting and clearance, Connections and schemas, Performance curves
- Product image, Instruction sheet, User guide, Product certifications, End of life manual

Find your catalog



- > With just 3 clicks, you can reach the Industrial Automation and Control catalogs, in both English and French
- > Download Digi-Cat with this [link](#)

- Updated quarterly
- Embeds product selectors and configurators, 360° images, training centers
- Optimized search by commercial reference

Select your training



- > Find the right [Training](#) for your needs on our Global website
- > Locate the training center with the selector tool, using this [link](#)

General content

Modicon TM5

Performant and safe IP20 modular I/O system

<i>Introduction to EcoStruxure Machine</i>	page 2
<i>Selection guide: controllers for industrial machines</i>	page 4
<i>Machine automation</i>	page 6
■ Presentation of the range	page 8
■ Modicon TM5 expansion system	page 9
■ 24 V \square digital modules and 24 V \square digital/analog module	
<i>Selection guide</i>	page 10
- Presentation, description	page 12
- References.....	page 13
■ 100/240 V \sim digital modules	
<i>Selection guide</i>	page 10
- Presentation, description	page 14
- References.....	page 15
■ 24 V \square digital compact block	
<i>Selection guide</i>	page 16
- Presentation, description, References	page 17
■ Analog modules	
<i>Selection guide</i>	page 18
- Presentation, description	page 20
- References.....	page 21
■ Counter modules	
<i>Selection guide</i>	page 22
- Presentation, description	page 24
- References.....	page 25
■ Transmitter and receiver modules	
- Presentation, description	page 26
- References.....	page 27
■ Communication module for RS232 serial link	
- Presentation, description	page 28
- References.....	page 29
■ Common distribution modules	
- Presentation, description, References	page 30
■ Power distribution modules	
- Presentation, description, References	page 31
■ Safety logic controllers	
- Presentation.....	page 32
- References.....	page 33
■ Safety I/O modules	
- Presentation, description	page 34
- References.....	page 35
■ Interface modules for distributed I/O on network and buses	
<i>Selection guide</i>	page 36
□ Interface module for distributed I/O over Ethernet	
- Presentation.....	page 38
- Description, References	page 39
□ Interface module for distributed I/O on CANopen bus	
- Presentation.....	page 40
- Description, References	page 41
□ Interface module for distributed I/O on Sercos bus	
- Presentation.....	page 42
- Description, References	page 43
■ Accessories	
- References.....	page 44
■ Product reference index	page 45

To be competitive in today's digital era, machine builders must be innovative. Smart machines, those that are better connected, more flexible, more efficient, and safe, are enabling machine builders to innovate in ways never before possible.

EcoStruxure, Schneider Electric's open, IoT-enabled architecture and platform, offers powerful solutions for the digital era. As part of this, EcoStruxure Machine brings powerful opportunities for machine builders and OEMs, empowering them to offer smart machines and compete in the new, digital era.

EcoStruxure Machine brings together key technologies for product connectivity and edge control on premises, and cloud technologies to provide analytics and digital services. EcoStruxure Machine helps you bring more innovation and added value to your customers throughout the entire machine life cycle.

Innovation at Every Level for Machines is full systems across three layers:

- Connected products
Our connected products for measuring, actuating, device level monitoring, and control adhere to open standards to provide unmatched integration opportunities and flexibility
- Edge Control
We are IIoT-ready with a proven set of tested and validated reference architectures that enable the design of end-to-end open, connected, and interoperable systems based on industry standards. Ethernet and OPC UA facilitates IT/OT convergence meaning machine builders reap benefits from web interfaces and cloud.

- Apps, Analytics & Services
Seamless integration of machines to the IT layer allows the collection and aggregation of data ready for analysis – for machine builders and end users alike this means increased uptime and the ability to find information faster for more efficient operations and maintenance.

These levels are completely integrated from shop floor to top floor. And we have cloud offers and end-to-end cybersecurity wrapped around.

EcoStruxure Machine makes it easier for OEMs/ machine builders to offer their customers smarter machines. The advent of smart machines is driven by the changing needs of end users:

- Evolving workforce
- Reducing costs
- Dynamic markets
- Shorter life cycles
- Prioritizing safety and cybersecurity

EcoStruxure Machine provides one solution for the whole machine life cycle:

- With Smart Design & Engineering the time to market is reduced by up to 30% using our automated engineering and the simulation capabilities
- During Commissioning & Operation of the machine, resources such as energy, material and loss can be improved, and with seamless integration to the IT world efficiency can be improved by up to 40%
- Smart Maintenance & Services reduces the time for corrective actions up to 50%

EcoStruxure™ Machine




Innovation At Every Level



* The Schneider Electric industrial software business and AVEVA have merged to trade as AVEVA Group plc, a UK listed company. The Schneider Electric and Life is On trademarks are owned by Schneider Electric and are being licensed to AVEVA by Schneider Electric.

Modicon TM5

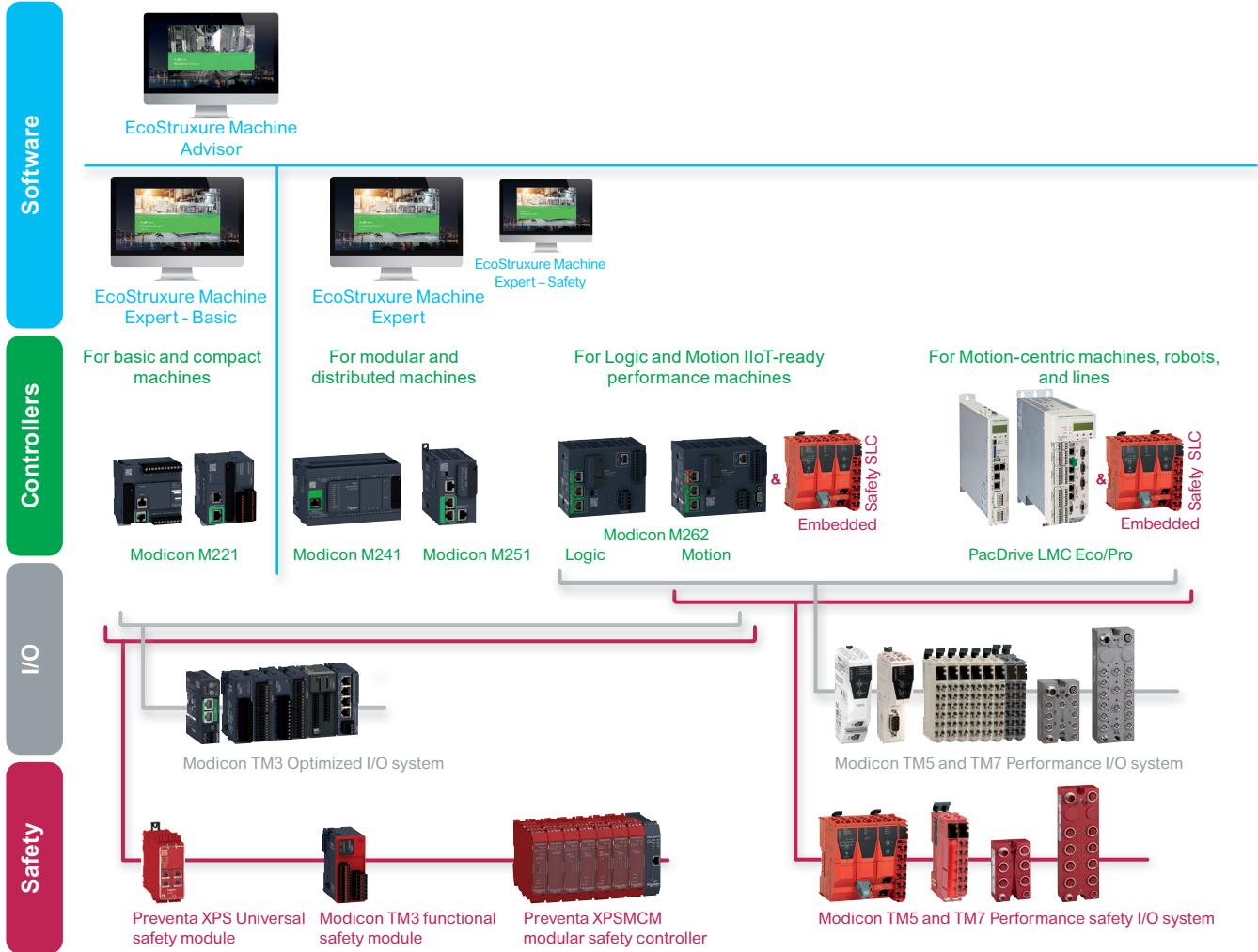
High-Performance and Safe IP20 Modular I/O Controllers for industrial machines

Applications		Logic controller			Logic/Motion controller		Motion controller
Type	Specification	For hardwired architectures	For performance-demanding applications		For modular and distributed architectures	IIoT ready for performance machines	For automating machines/lines with 0 - 130 servo or robot axes
							
Performance		0.2 µs/inst	22 ns/inst		22 ns/inst	3...5 ns/inst	0.5...2 ns/inst
Memory		640 KB RAM, 2 MB Flash	64 MB RAM, 128 MB Flash		64 MB RAM, 128 MB Flash	256 MB RAM, 256 MB Flash	128 KB to 256 KB NV RAM 512 MB DDR2 to 1 GB DDR3L
Supply voltage		24 V --- or 100...240 V ~	24 V --- or 100...240 V ~		24 V ---	24 V ---	24 V ---
Communication fieldbus and networks		<ul style="list-style-type: none"> ■ EtherNet/IP ■ RS 232/RS 485 serial link ■ USB mini-B programming port 			<ul style="list-style-type: none"> ■ EtherNet/IP ■ CANopen (master) and SAE J1939 ■ Serial link ■ USB mini-B programming port 		<ul style="list-style-type: none"> ■ EtherNet/IP ■ Sercos III ■ Modbus TCP ■ Serial link ■ USB mini-B programming port
		<ul style="list-style-type: none"> ■ 1 Serial Line 			<ul style="list-style-type: none"> ■ Ethernet ■ Profibus DP 		<ul style="list-style-type: none"> ■ Ethernet ■ CANopen
Embedded I/O		<ul style="list-style-type: none"> Input types Up to 40 logic inputs Up to 2 analog inputs 			<ul style="list-style-type: none"> Up to 24 logic inputs 		<ul style="list-style-type: none"> Up to 20 digital inputs Up to 16 touch probe inputs Up to 4 interrupt inputs Up to 2 analog inputs
		<ul style="list-style-type: none"> Output types Up to 16 relay outputs Up to 16 transistor outputs 			<ul style="list-style-type: none"> Up to 16 transistor outputs 		<ul style="list-style-type: none"> Up to 16 digital outputs Up to 2 analog outputs
Synchronized axes		-			-		<ul style="list-style-type: none"> Up to 16 synchronized axes
Configuration software		EcoStruxure Machine Expert-Basic (1)			EcoStruxure Machine Expert V1.1 (2)		EcoStruxure Machine Expert V1.1 (2)
Compatible expansion I/O module ranges (consult the catalog)		<ul style="list-style-type: none"> ● Modicon TM3 (DIA3ED2140109EN) ● Modicon TM3 (DIA3ED2140109EN) ● Modicon TM3 (DIA3ED2140109EN) 			<ul style="list-style-type: none"> ● Modicon TM3 (DIA3ED2140109EN) ● Modicon TM3 (DIA3ED2140109EN) ● Modicon TM3 (DIA3ED2140109EN) ● Modicon TM5 (DIA3ED2131204EN) 		<ul style="list-style-type: none"> ● Modicon TM3 (DIA3ED2140109EN) ● Modicon TM3 (DIA3ED2140109EN) ● Modicon TM3 (DIA3ED2140109EN) ● Modicon TM5 (DIA3ED2131204EN)
		-			-		<ul style="list-style-type: none"> ● Modicon TM5 (DIA3ED2131204EN) ● Modicon TM7 (DIA3ED2140405EN)
		-			-		<ul style="list-style-type: none"> ● Modicon TM5 (DIA3ED2131204EN)
		<ul style="list-style-type: none"> ● Modicon TM3 (DIA3ED2140109EN) 			<ul style="list-style-type: none"> ● Modicon TM3 (DIA3ED2140109EN) 		<ul style="list-style-type: none"> ● Modicon TM5 (DIA3ED2131204EN) ● Modicon TM7 (DIA3ED2140405EN)
Controller range		Modicon M221/M221 Book		Modicon M241		Modicon M251	Modicon M262
More details in catalog		DIA3ED2140106EN		DIA3ED2140107EN		DIA3ED2140108EN	DIA3ED2180503EN
							LMC Eco, LMC Pro2
							DIA7ED2160303EN

(1) Formerly named SoMachine Basic.

(2) Formerly named SoMachine, EcoStruxure Machine Expert merges both former software ranges, SoMachine and SoMachine Motion.

Machine Automation



Machine control

> From basic to motion- and robot-centric machines with the PacDrive 3 offer, Modicon controllers and solutions bring a consistent and scalable response to achieving flexibility, performance, productivity, and digitization.

The scalability and consistency of I/O ranges allow you to select the right offer depending on your needs

> Modicon TM3 Optimized I/O system for more compact and modular machines
 > Modicon TM5 for more performance-demanding machines, with Modicon TM7 for harsh environments; Both Performance I/O ranges (Modicon TM5 and TM7) allow safety functions to be implemented using the Modicon TM5CSLC safety logic controller

Embedded Safety provides holistic solutions to Modicon M262 and PacDrive LMC controllers, increasing overall safety demand in Machine Automation

> Preventa XPS Universal safety modules cover a wide range of safety functions, suitable for small applications with 4-5 safety functions, with diagnostic information provided to controllers via a single wire connection
 > Modicon TM3 safety functional modules are suitable for small applications covering E-Stop functions and diagnostics via TM3 bus
 > Preventa XPSMCM modular safety controllers are suitable for medium size applications with up to 20 safety functions and diagnostics via Modbus TCP, EtherNet/IP, EtherCAT, or Profinet

All these devices are managed within a single software, EcoStruxure Machine Expert, a powerful and collaborative engineering environment

> **EcoStruxure Machine Expert – Safety** optional add-on for programming safety logic controllers
 > **EcoStruxure Machine Expert – Basic** software for programming Modicon M221 logic controllers: an intuitive standalone environment accessible to basic skilled technicians
 > **EcoStruxure Machine Advisor** is a cloud-based services platform designed for machine builders to track machines in operation worldwide, monitor performance data, and resolve exceptional events, while reducing support costs by up to 50%

Modicon TM5

High-Performance and Safe IP20 Modular I/O System
Machine Automation

Machine Automation

Comprehensive Schneider offers for machine builders

- > Lexium servo drives, motors, and robotics are designed to control applications ranging from a single independent axis up to high-performance synchronized multi-axis machines requiring high-speed and precise positioning and movements



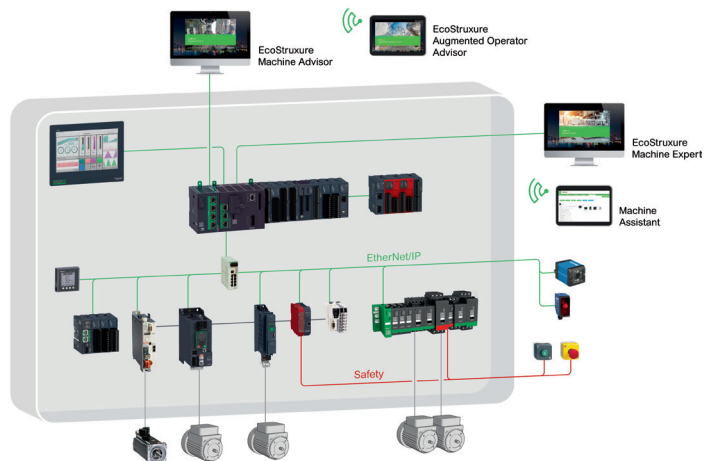
[Robotics](#)

[Integrated drives](#)

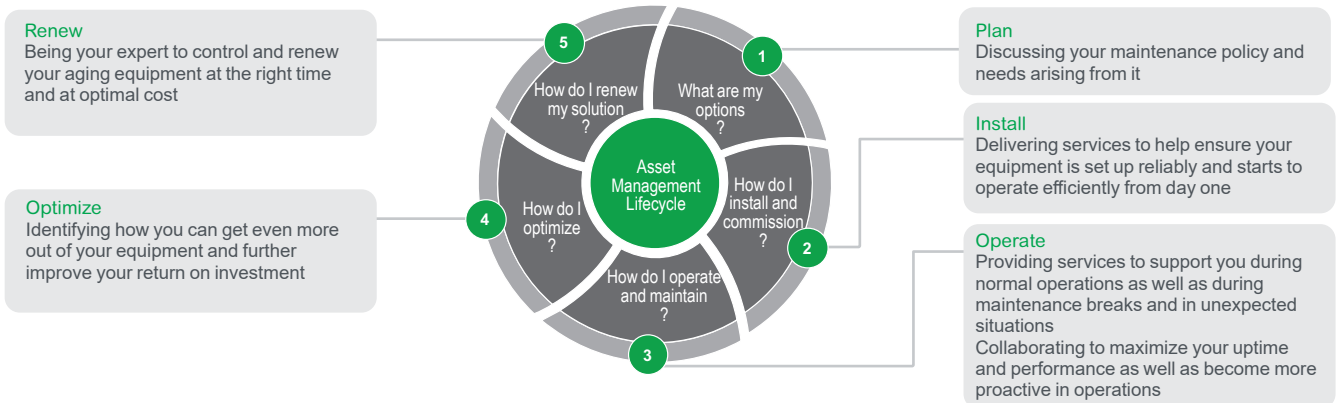
[Servo Drives & Motors](#)

[Steppers Drives & Motors](#)

- > The Lexium offer is designed for a broad range of motion-centric machines in applications such as [Packaging](#), [Material Handling](#), [Material Working](#), [Food and Beverage](#), and [Electronics](#)
- > Schneider Electric has developed Tested Validated & Documented Architectures (TVDA) applicable for generic machine control applications as well as for dedicated segment applications such as Packaging, Material Working, Material Handling, Hoisting, Pumping, or generic [Machine Control applications](#)



Choose Schneider Electric to help secure your investment and benefit from worldwide services at every step of your project



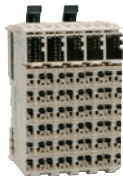
- > From planning and inception to modernization, we help ensure optimal technical and business performance. Our field service engineers combine 30+ years of manufacturer-level experience with the latest technology to bring innovation to every level of our offer, and every step of your project.
- > Our machine control dedicated services empower you to maximize your business infrastructure and face increasingly stringent demands on productivity, safety, equipment availability, and performance optimization.

Modicon TM5

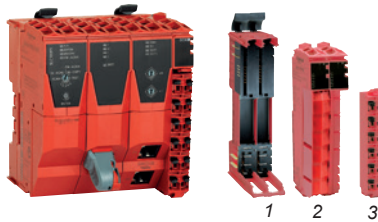
High-Performance and Safe IP20 Modular I/O System
Presentation of the range



Expansion modules
1 Base
2 Electronic module
3 Terminal block



Compact blocks



Safety logic controller
Safety I/O module
1 Safety base
2 Safety electronic module
3 Safety terminal block



Communication interface module for distributed I/O on
1 Ethernet network
2 CANopen bus
3 Sercos bus



Catalog ref. [DIA3ED2140405EN](#)

Modicon TM5 range

The Modicon TM5 offer has been developed to create flexible, scalable I/O configurations for automation solutions based on Modicon and PacDrive controllers:

- Modicon M241, M251, and M258 logic controllers
- Modicon LMC058 and LMC078 motion controllers
- Modicon M262 logic/motion controllers
- PacDrive LMC Eco/Pro/Pro2 motion controllers

This offer also includes two safety controllers and safety I/O modules compatible with the Modicon M262 logic/motion controller and PacDrive LMC Eco/Pro/Pro2 motion controllers.

The Modicon TM5 I/O system is fully compatible with EcoStruxure Machine Expert software. This I/O system is made up of blocks and expansion modules, offering the following advantages:

- Simplified installation and maintenance
- Embedded diagnostics for local and remote supervision
- Hot swapping of I/O modules
- Ease of wiring provided by spring terminals and removable terminal blocks

I/O expansion modules

- Digital I/O modules and compact digital input blocks, see [page 10](#)
- Digital/analog I/O module, see [page 13](#)
- Analog I/O modules, see [pages 18 to 21](#)
- Counter modules, see [pages 22 to 25](#)
- Transmitter and receiver modules for remote extension via the TM5 bus, see [page 26](#)
- Communication module for RS232 serial link, see [page 28](#)
- Common distribution modules, see [page 30](#)
- Power distribution modules, see [page 31](#)

Expansion modules comprise three parts to be ordered separately:

- An electronic module
- A bus base
- A terminal block

Safety controllers and modules

TM5 safety modules are associated with TM5CSLC safety logic controllers to provide distributed safety solutions on the Sercos bus up to SIL 3 conforming to IEC 61508, Cat. 4, PL e conforming to ISO 13849-1, and SIL CL3 conforming to IEC 62061, see [pages 32 to 35](#).

The TM5 safety offer comprises:

- Safety logic controllers
- Safety digital input and output modules
- Safety analog input modules
- Safety counter module

Communication interface module for distributed I/O

- Ethernet network interface module for distributed I/O over Ethernet, see [pages 38 and 39](#)
- CANopen fieldbus interface module for distributed I/O on the CANopen bus, see [pages 40 and 41](#)
- Sercos fieldbus interface module for distributed I/O on the Sercos bus, see [pages 42 and 43](#)

Each communication interface module comprises four parts to be ordered separately:

- A network or bus base
- An interface electronic module
- A power distribution electronic module
- A removable terminal block

TM7 blocks

Modicon TM7 is an IP67 modular I/O system comprising digital and analog I/O blocks, including safety I/O. The TM7 blocks complement distributed I/O architectures by using the product at the heart of machines in harsh environments (where there is a risk of splashing water, oil, dust, etc.). Please refer to the catalog ref. [DIA3ED2140405EN](#).

Modicon TM5

High-Performance and Safe IP20 Modular I/O System

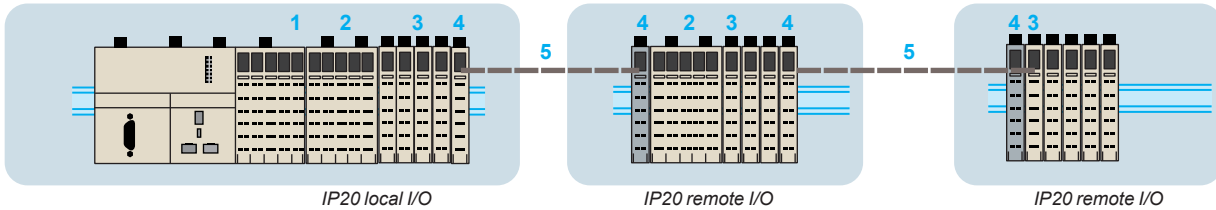
Modicon TM5 expansion system

Modicon TM5 expansion system

EcoStruxure Machine Expert software is used to configure local and remote I/O and distributed I/O islands.

Local and remote I/O configuration

With Modicon M258 logic controller and Modicon LMC058 motion controller only



- 1 Modicon M258 logic controller
- 2 Compact I/O blocks
- 3 I/O expansion modules
- 4 Transmitter module/Receiver module
- 5 TM5 expansion bus cable
- 6 Common distribution modules

- **Local I/O:** Compact blocks represent a way of adding a large number of I/O using a single component, and thus a single product reference. I/O expansion modules complete this configuration and, being modular with between 2 and 12 channels, make it possible to adjust the number of channels to exactly that required. The addition of digital, analog, temperature, or high-speed counter modules increases the processing capabilities of applications.

- **Remote I/O:** Because of its backplane bus management, the TM5 system can be used to control I/O modules remotely.
 - The same modules can be used in a local and remote configuration, linked together via TM5 expansion bus cables.
 - The maximum distance between 2 islands is 100 m (328 ft) and the maximum number of islands is 25, i.e. a total distance of 2,500 m (8,202 ft). This ensures a high degree of flexibility, while maintaining synchronized data acquisition, since all the expansion modules are on the same backplane bus.

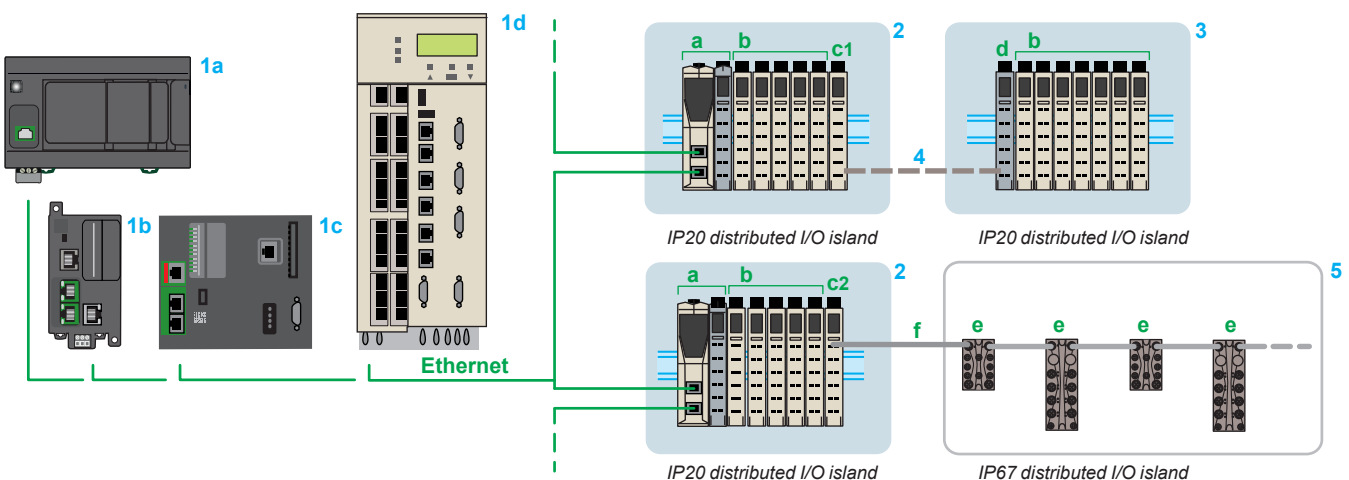
Distributed I/O configuration

With Modicon M241 and Modicon M251 logic controllers, Modicon M262 logic/motion controllers, and PacDrive LMC Eco/Pro/Pro2 motion controllers

The TM5 system offers the option to create distributed I/O islands on the following networks and buses:

- With the **Ethernet** network interface module, see [page 40](#)
- With the **CANopen** bus interface module, see [page 42](#)
- With the **Sercos** bus interface module, see [page 44](#)

Example distributed I/O configuration over Ethernet



- 1 **a** Modicon M241 logic controller **b** Modicon M251 logic controller **c** Modicon M262 logic/motion controller **d** PacDrive LMC Eco/Pro/Pro2 motion controllers: Ethernet network masters
- 2 TM5 Ethernet interface module (slave) (**a**) + TM5 modules (**b**) + TM5SBET1 (**c1**)/TM5SBET7 (**c2**) transmitter modules
- 3 TM5SBER2 receiver module (**d**) + TM5 I/O modules (**b**)
- 4 TM5 expansion bus: TCSXCNNXN100 remote I/O cable
- 5 Modicon TM7 blocks (**1**) (digital or analog I/O) (**e**) + TM7TCSXCN●●●E bus expansion cable (**f**)

(1) Modicon TM7, please refer to catalog ref. [DIA3ED2140405EN](#)

Modicon TM5

High-Performance and Safe IP20 Modular I/O System

24 V $\overline{\text{---}}$ digital modules
and 24 V $\overline{\text{---}}$ digital/analog module

Applications	
Compatibility	Local and remote I/O Distributed I/O

4 to 16 digital input channels	<ul style="list-style-type: none"> Modicon M258 logic controller Modicon LMC058 motion controller Ethernet network interface module CANopen bus interface module Sercos bus interface module
---------------------------------------	---

4 digital input channels and 1 analog input channel 2 digital output channels and 1 analog output channel	–	<ul style="list-style-type: none"> Modicon M258 logic controller Modicon LMC058 motion controller Ethernet network interface module CANopen bus interface module Sercos bus interface module
4 digital input channels 4 transistor output channels with timestamping and oversampling functions	–	<ul style="list-style-type: none"> Modicon M258 logic controller Modicon LMC058 motion controller Ethernet network interface module CANopen bus interface module Sercos bus interface module
8 digital input channels 4 transistor output channels	–	<ul style="list-style-type: none"> Modicon M258 logic controller Modicon LMC058 motion controller Ethernet network interface module CANopen bus interface module Sercos bus interface module
2 to 16 transistor output channels	–	<ul style="list-style-type: none"> Modicon M258 logic controller Modicon LMC058 motion controller Ethernet network interface module CANopen bus interface module Sercos bus interface module
2 transistor output channels	–	<ul style="list-style-type: none"> Modicon M258 logic controller Modicon LMC058 motion controller Ethernet network interface module CANopen bus interface module Sercos bus interface module
2 to 4 relay output channels	–	<ul style="list-style-type: none"> Modicon M258 logic controller Modicon LMC058 motion controller Ethernet network interface module CANopen bus interface module Sercos bus interface module



Channel connection																																																																							
Digital inputs	<table border="1"> <tr> <td>Number and type</td> <td>4</td> <td>6</td> <td>12</td> <td>16</td> <td>4</td> <td>6</td> </tr> <tr> <td>Nominal input voltage</td> <td colspan="2">24 V $\overline{\text{---}}$</td> <td colspan="2">100/240 V \sim</td> <td colspan="2">100...120 V \sim</td> </tr> <tr> <td>IEC/EN 61131-2 conformity</td> <td colspan="2">Type 1</td> <td colspan="2">Type 1</td> <td colspan="2">Type 1</td> </tr> <tr> <td>Type of signal (1)</td> <td colspan="2">Sink</td> <td colspan="2">Sink</td> <td colspan="2">Sink</td> </tr> <tr> <td>Type of wiring</td> <td>1-, 2-, or 3-wire</td> <td>1 or 2-wire</td> <td>1-wire</td> <td>1-, 2-, or 3-wire</td> <td colspan="2">1-, 2-, or 3-wire</td> </tr> <tr> <td>Limit values</td> <td colspan="2">20.4...28.8 V $\overline{\text{---}}$</td> <td colspan="2">100...240 V \sim</td> <td colspan="2">100...120 V \sim</td> </tr> <tr> <td>Nominal input current</td> <td colspan="2">3.75 mA</td> <td colspan="2">2.68 mA</td> <td colspan="2">5 mA at 100 V \sim, 11 mA at 240 V \sim</td> </tr> <tr> <td>Input impedance</td> <td colspan="2">6.4 kΩ</td> <td colspan="2">8.9 kΩ</td> <td colspan="2">–</td> </tr> <tr> <td>State 0</td> <td colspan="2">5 V $\overline{\text{---}}$ max.</td> <td colspan="2">–</td> <td colspan="2">–</td> </tr> <tr> <td>State 1</td> <td colspan="2">15 V $\overline{\text{---}}$ min.</td> <td colspan="2">–</td> <td colspan="2">–</td> </tr> </table>	Number and type	4	6	12	16	4	6	Nominal input voltage	24 V $\overline{\text{---}}$		100/240 V \sim		100...120 V \sim		IEC/EN 61131-2 conformity	Type 1		Type 1		Type 1		Type of signal (1)	Sink		Sink		Sink		Type of wiring	1-, 2-, or 3-wire	1 or 2-wire	1-wire	1-, 2-, or 3-wire	1-, 2-, or 3-wire		Limit values	20.4...28.8 V $\overline{\text{---}}$		100...240 V \sim		100...120 V \sim		Nominal input current	3.75 mA		2.68 mA		5 mA at 100 V \sim , 11 mA at 240 V \sim		Input impedance	6.4 k Ω		8.9 k Ω		–		State 0	5 V $\overline{\text{---}}$ max.		–		–		State 1	15 V $\overline{\text{---}}$ min.		–		–	
Number and type	4	6	12	16	4	6																																																																	
Nominal input voltage	24 V $\overline{\text{---}}$		100/240 V \sim		100...120 V \sim																																																																		
IEC/EN 61131-2 conformity	Type 1		Type 1		Type 1																																																																		
Type of signal (1)	Sink		Sink		Sink																																																																		
Type of wiring	1-, 2-, or 3-wire	1 or 2-wire	1-wire	1-, 2-, or 3-wire	1-, 2-, or 3-wire																																																																		
Limit values	20.4...28.8 V $\overline{\text{---}}$		100...240 V \sim		100...120 V \sim																																																																		
Nominal input current	3.75 mA		2.68 mA		5 mA at 100 V \sim , 11 mA at 240 V \sim																																																																		
Input impedance	6.4 k Ω		8.9 k Ω		–																																																																		
State 0	5 V $\overline{\text{---}}$ max.		–		–																																																																		
State 1	15 V $\overline{\text{---}}$ min.		–		–																																																																		

Via removable spring terminal blocks (to be ordered separately)

4	6	12	16	4	6
24 V $\overline{\text{---}}$		100/240 V \sim		100...120 V \sim	
Type 1		Type 1		Type 1	
Sink		Sink		Sink	
1-, 2-, or 3-wire	1 or 2-wire	1-wire	1-, 2-, or 3-wire	1-, 2-, or 3-wire	
20.4...28.8 V $\overline{\text{---}}$		100...240 V \sim		100...120 V \sim	
3.75 mA		2.68 mA		5 mA at 100 V \sim , 11 mA at 240 V \sim	
6.4 k Ω		8.9 k Ω		–	
5 V $\overline{\text{---}}$ max.		–		–	
15 V $\overline{\text{---}}$ min.		–		–	

Digital outputs	<table border="1"> <tr> <td>Number</td> <td>2</td> <td>2</td> <td>4</td> </tr> <tr> <td>Nominal output voltage</td> <td>100/240 V \sim</td> <td>30 V $\overline{\text{---}}$/230 V \sim</td> <td>30 V $\overline{\text{---}}$/230 V \sim</td> </tr> <tr> <td>Output current per channel</td> <td>1 A</td> <td>5 A</td> <td>5 A</td> </tr> <tr> <td>Output current per group of channels</td> <td>1 A</td> <td>10 A max.</td> <td>10 A max.</td> </tr> <tr> <td>Type of signal (1)</td> <td>Solid state relay</td> <td>Relay</td> <td>Relay</td> </tr> <tr> <td>Type of wiring</td> <td>3-wire</td> <td>NO/NC contact</td> <td>NO/NC contact</td> </tr> <tr> <td>Limit values</td> <td>80...264 V \sim</td> <td>24...36 V $\overline{\text{---}}$, 184...276 V \sim</td> <td>24...36 V $\overline{\text{---}}$, 184...276 V \sim</td> </tr> <tr> <td>Short-circuit and overload protection</td> <td>Yes</td> <td>Yes</td> <td>No</td> </tr> </table>	Number	2	2	4	Nominal output voltage	100/240 V \sim	30 V $\overline{\text{---}}$ /230 V \sim	30 V $\overline{\text{---}}$ /230 V \sim	Output current per channel	1 A	5 A	5 A	Output current per group of channels	1 A	10 A max.	10 A max.	Type of signal (1)	Solid state relay	Relay	Relay	Type of wiring	3-wire	NO/NC contact	NO/NC contact	Limit values	80...264 V \sim	24...36 V $\overline{\text{---}}$, 184...276 V \sim	24...36 V $\overline{\text{---}}$, 184...276 V \sim	Short-circuit and overload protection	Yes	Yes	No
Number	2	2	4																														
Nominal output voltage	100/240 V \sim	30 V $\overline{\text{---}}$ /230 V \sim	30 V $\overline{\text{---}}$ /230 V \sim																														
Output current per channel	1 A	5 A	5 A																														
Output current per group of channels	1 A	10 A max.	10 A max.																														
Type of signal (1)	Solid state relay	Relay	Relay																														
Type of wiring	3-wire	NO/NC contact	NO/NC contact																														
Limit values	80...264 V \sim	24...36 V $\overline{\text{---}}$, 184...276 V \sim	24...36 V $\overline{\text{---}}$, 184...276 V \sim																														
Short-circuit and overload protection	Yes	Yes	No																														

2	4	4	4	4	6	8	12	16	2	2	4
24 V $\overline{\text{---}}$		24 V $\overline{\text{---}}$		24 V $\overline{\text{---}}$		24 V $\overline{\text{---}}$		100/240 V \sim		30 V $\overline{\text{---}}$ /230 V \sim	
0.5 A	0.1 A	0.5 A	0.5 A	2 A	0.5 A	2 A	0.5 A	0.5 A	1 A	5 A	
1 A max.	0.4 A	2 A max.	2 A max.	4 A max.	3 A max.	8 A max.	6 A max.	6 A max.	1 A	10 A max.	
Source	Source	Source	Source	Source	Source	Source	Source	Source	Solid state relay	Relay	
1-wire	1-wire	1-wire	1-wire	1-, 2-, or 3-wire	1 or 2-wire	1-wire	1-wire	1-wire	3-wire	NO/NC contact	
20.4...28.8 V $\overline{\text{---}}$	20.4...28.8 V $\overline{\text{---}}$	20.4...28.8 V $\overline{\text{---}}$	20.4...28.8 V $\overline{\text{---}}$	20.4...28.8 V $\overline{\text{---}}$	20.4...28.8 V $\overline{\text{---}}$	20.4...28.8 V $\overline{\text{---}}$	20.4...28.8 V $\overline{\text{---}}$	20.4...28.8 V $\overline{\text{---}}$	80...264 V \sim	24...36 V $\overline{\text{---}}$, 184...276 V \sim	
Yes	Yes	Yes	Yes	Yes	Yes	Yes	Yes	Yes	Yes	No	

Analog inputs	<table border="1"> <tr> <td>Number</td> <td>1</td> </tr> <tr> <td>Type</td> <td>Voltage/current</td> </tr> <tr> <td>Range</td> <td>-10...+10 V DC</td> </tr> <tr> <td>Resolution</td> <td>0...20 mA/4...20 mA</td> </tr> <tr> <td>Sampling period</td> <td>12 bits + sign</td> </tr> <tr> <td>Without filtering</td> <td>400 ms</td> </tr> <tr> <td>With filtering</td> <td>1 ms max.</td> </tr> </table>	Number	1	Type	Voltage/current	Range	-10...+10 V DC	Resolution	0...20 mA/4...20 mA	Sampling period	12 bits + sign	Without filtering	400 ms	With filtering	1 ms max.
Number	1														
Type	Voltage/current														
Range	-10...+10 V DC														
Resolution	0...20 mA/4...20 mA														
Sampling period	12 bits + sign														
Without filtering	400 ms														
With filtering	1 ms max.														

1
Voltage/current
-10...+10 V DC
0...20 mA/4...20 mA
12 bits + sign
400 ms
1 ms max.

Analog outputs	<table border="1"> <tr> <td>Number</td> <td>1</td> </tr> <tr> <td>Type</td> <td>Voltage/current</td> </tr> <tr> <td>Range</td> <td>-10...+10 V DC</td> </tr> <tr> <td>Resolution</td> <td>0...20 mA</td> </tr> <tr> <td>Response time</td> <td>12 bits</td> </tr> <tr> <td></td> <td>1 ms max.</td> </tr> </table>	Number	1	Type	Voltage/current	Range	-10...+10 V DC	Resolution	0...20 mA	Response time	12 bits		1 ms max.
Number	1												
Type	Voltage/current												
Range	-10...+10 V DC												
Resolution	0...20 mA												
Response time	12 bits												
	1 ms max.												

1
Voltage/current
-10...+10 V DC
0...20 mA
12 bits
1 ms max.

Electronic expansion modules	TM5SDI4D, TM5SDI6D, TM5SDI12D, TM5SDI16D, TM5SDI4A, TM5SDI6U
Compatible bus bases (2)	TM5ACBM11, TM5ACBM15, TM5ACBM12
Compatible removable terminal block (2)	TM5ACTB06, TM5ACTB12, TM5ACTB16, TM5ACTB32
Page	13, 15

TM5SMM6D2L, TM5SDM8DTS, TM5SDM12DT, TM5S DO4T, TM5 SDO4TA, TM5 SDO6T, TM5 SDO8TA, TM5 SDO12T, TM5 SDO16T, TM5 SDO2S, TM5 SDO2R, TM5 SDO4R
TM5ACBM11, TM5ACBM15, TM5ACBM12
TM5ACTB12, TM5ACTB06, TM5ACTB12, TM5ACTB12, TM5ACTB16, TM5ACTB32
13, 15

(1) Source output: PNP output; Sink output: NPN output
(2) To be ordered separately

Modicon TM5

High-Performance and Safe IP20 Modular I/O System
24 V $\overline{\text{V}}$ digital modules and 24 V $\overline{\text{V}}$ digital/analog
module

Presentation

The digital module offer comprises:

- Input, mixed I/O, and output electronic modules (24 V $\overline{\text{V}}$ sensor and preactuator power supply): **TM5SDI●●●**, **TM5SDO●●●**
- A mixed I/O module with timestamping and oversampling functions: **TM5SDM8DTS**. The timestamping function is used to associate a date and time with an event, and to record the time the operation was performed. The **TM5SDM8DTS** electronic module was designed to be used with the PacDrive system and the **TM5NS31** Sercos bus interface (1) only.
- A mixed digital/analog I/O electronic module: **TM5SMM6D2L**

These modules are used to adapt as closely as possible to the application requirements to reduce installation and wiring costs.

Each digital and digital/analog module comprises three parts to be ordered separately (2):

- An I/O electronic module
- A bus base
- A terminal block

These modules can be mechanically assembled before mounting on a symmetrical rail.

They offer the following advantages:

- Removable terminal block
- Spring terminals that can be used for quick, tool-free connection of the sensors and preactuators (the quality of the spring terminals avoids the need for periodic retightening)
- Hot swapping capability

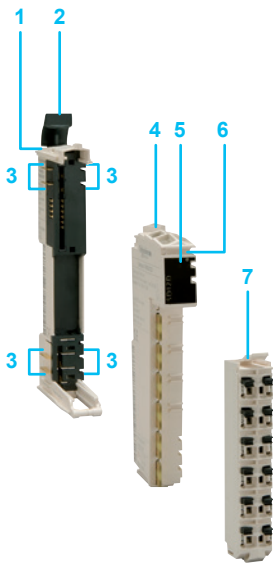
Description

TM5SD●●●● digital modules and the **TM5SMM6D2L** digital/analog module comprise:

- 1 A bus base
- 2 A mechanical clip for locking onto a symmetrical rail
- 3 A bus expansion connection on each side of the base to provide the link with the adjacent controller or module
- 4 A digital input, output, or I/O electronic module
- 5 An LED display block for the module channels and diagnostics
- 6 A slot for the plain text cover holder (label holder)
- 7 A removable spring terminal block with locking clip and slots for colored ID markers

(1) *TM5NS31 Sercos bus interface*, see [page 42](#)

(2) *Also sold as a complete kit*, see [page 13](#)



Modicon TM5

High-Performance and Safe IP20 Modular I/O System
24 V $\overline{\text{DC}}$ digital modules and 24 V $\overline{\text{DC}}$ digital/analog module



TM5SD...



TM5SMM6D2L



TM5ACBM...



TM5ACTB...



TM5SD...12DK

References			
Description	Number and type of channels (1)	Reference	Weight kg/lb
24 V $\overline{\text{DC}}$ digital input electronic modules	4 sink inputs	TM5SDI4D	0.025/ 0.055
	6 sink inputs	TM5SDI6D	
	12 sink inputs	TM5SDI12D	
	16 sink inputs	TM5SDI16D	
Mixed I/O electronic modules	4 x 24 V $\overline{\text{DC}}$ digital inputs 4 source transistor outputs, 0.1 A per channel, with timestamping and oversampling functions	TM5SDM8DTS For use with PacDrive system and TM5NS31 Sercos bus interface only	0.022/ 0.048
	8 sink inputs 4 source transistor outputs	TM5SDM12DT	0.025/ 0.055
Digital output electronic modules	4 source transistor outputs 0.5 A per channel	TM5SDO4T	0.025/ 0.055
	4 source transistor outputs 2 A per channel, 4 A per module	TM5SDO4TA	
	6 source transistor outputs 0.5 A per channel	TM5SDO6T	
	8 source transistor outputs 2 A per channel	TM5SDO8TA	
	12 source transistor outputs 0.5 A per channel	TM5SDO12T	
24 V $\overline{\text{DC}}$ digital/analog I/O electronic module	16 source transistor outputs 0.5 A per channel	TM5SDO16T	
	- 4 digital sink inputs - 1 analog input, -10...+10 V DC, 0...20 mA/4...20 mA - 2 source transistor outputs, 0.5 A per channel - 1 analog output, 0...20 mA	TM5SMM6D2L	0.025/ 0.055
Description			
Description	Characteristics	Reference	Weight kg/lb
Bus bases	24 V $\overline{\text{DC}}$	TM5ACBM11	0.020/ 0.044
	24 V $\overline{\text{DC}}$ With address setting	TM5ACBM15	0.020/ 0.044
Terminal blocks	For electronic modules 6 spring terminals	TM5ACTB06	0.016/ 0.035
	For electronic modules 12 spring terminals	TM5ACTB12	0.020/ 0.044
	For electronic modules 16 spring terminals	TM5ACTB16	0.020/ 0.044
Digital I/O expansion module kits			
Description	Composition	Reference	Weight kg/lb
Kit comprising:	TM5SDI12D + TM5ACBM11 + TM5ACTB12	TM5SDI12DK	0.065/ 0.143
	- a digital input or output electronic module - a bus base - a terminal block	TM5SDO12T + TM5ACBM11 + TM5ACTB12	TM5SDO12TK
Accessories			
See page 44			

(1) Source output: PNP output; Sink output: NPN output

Modicon TM5

High-Performance and Safe IP20 Modular I/O System
100/240 V ~ digital modules

Presentation

The **TM5SD●●●** digital module offer comprises:

- Digital input electronic modules (100/240 V ~ sensor/preactuator power supply)
 - Digital output electronic modules (100/240 V ~ sensor/preactuator power supply)
- These modules are used to adapt as closely as possible to the application requirements to reduce installation and wiring costs.

Each digital module comprises three parts to be ordered separately (1):

- An I/O electronic module
- A bus base
- A terminal block

These modules can be mechanically assembled before mounting on a symmetrical rail.

They offer the following advantages:

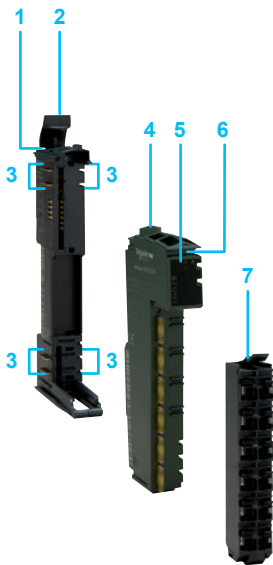
- Removable terminal block
- Spring terminals that can be used for quick, tool-free connection of the sensors and preactuators (the quality of the spring terminals avoids the need for periodic retightening)
- Hot swapping capability

Description

TM5SD●●● digital modules comprise:

- 1 A bus base
- 2 A mechanical clip for locking onto a symmetrical rail
- 3 A bus expansion connection on each side of the base to provide the link with the adjacent controller or module
- 4 A digital input or output electronic module
- 5 An LED display block for the module channels and diagnostics
- 6 A slot for the plain text cover holder (label holder)
- 7 A removable spring terminal block with locking clip and slots for colored ID markers

(1) Also sold as a complete kit, see [page 15](#)



Modicon TM5

High-Performance and Safe IP20 Modular I/O System
100/240 V ~ digital modules



TM5SDI●●
TM5SDO●●

TM5ACBM●●

TM5ACTB●●



TM5SDO4RK

References

Description	Number and type of channels (1)	Reference	Weight kg/lb
Multi-voltage digital input electronic modules	4 inputs, 100/240 V ~	TM5SDI4A	0.025/ 0.055
	6 inputs, 100/120 V ~	TM5SDI6U	0.025/ 0.055
Digital output electronic modules	2 transistor outputs, 1 A 100/240 V ~	TM5SDO2S	0.025/ 0.055
	2 relay outputs, 5 A, NO/NC contact 30 V ~/230 V ~	TM5SDO2R	0.025/ 0.055
	4 relay outputs, 5 A, NO/NC contact 30 V ~/230 V ~	TM5SDO4R	0.025/ 0.055
Bus bases	240 V ~	TM5ACBM12	0.020/ 0.044
Terminal blocks	For digital I/O electronic module 12 spring terminals	TM5ACTB32	0.025/ 0.055

Digital output expansion module kits

Description	Composition	Reference	Weight kg/lb
Kit comprising: - a digital output electronic module - a bus base - a terminal block	TM5SDO4R + TM5ACBM12 + TM5ACTB32	TM5SDO4RK	0.070/ 0.154

Accessories

See [page 44](#)

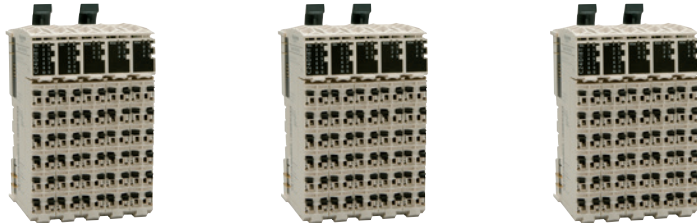
(1) Source output: PNP output; Sink output: NPN output

Modicon TM5

High-Performance and Safe IP20 Modular I/O System
24 V $\overline{\text{DC}}$ digital compact blocks

Applications	
Compatibility	Local and remote I/O
	Distributed I/O

20 to 42 digital I/O	
Compatibility	<ul style="list-style-type: none"> Modicon M258 logic controller Modicon LMC058 motion controller
	<ul style="list-style-type: none"> Ethernet network interface module CANopen bus interface module Sercos bus interface module



Channel connection

Digital inputs	Number
	Nominal input voltage
	IEC/EN 61131-2 conformity
	Type of signal (1)
	Type of wiring
	Limit values
	Nominal input current
	Input impedance
	State 0
	State 1
Digital outputs	Number
	Nominal output voltage
	Output current per channel
	Output current per group of channels
	Type of signal (1)
	Type of wiring
	Limit values
	Short-circuit and overload protection

Via removable spring terminal blocks supplied with the block

12	24	24
24 V $\overline{\text{DC}}$	24 V $\overline{\text{DC}}$	24 V $\overline{\text{DC}}$
Type 1	Type 1	Type 1
Sink	Sink	Sink
3-wire	1-wire	1-wire
20.4...28.8 V $\overline{\text{DC}}$	20.4...28.8 V $\overline{\text{DC}}$	20.4...28.8 V $\overline{\text{DC}}$
3.75 mA	3.75 mA	3.75 mA
6.4 k Ω	6.4 k Ω	6.4 k Ω
5 V $\overline{\text{DC}}$ max.	5 V $\overline{\text{DC}}$ max.	5 V $\overline{\text{DC}}$ max.
15 V $\overline{\text{DC}}$ min.	15 V $\overline{\text{DC}}$ min.	15 V $\overline{\text{DC}}$ min.
8, transistor	12, relay with NO contact	18, transistor
24 V $\overline{\text{DC}}$	24 V $\overline{\text{DC}}$	24 V $\overline{\text{DC}}$
0.5 A	0.5 A	0.5 A
1 A max.	5 A max.	2 A max.
Source	Source	Source
3-wire	1-, 2-, or 3-wire	2-wire
20.4...28.8 V $\overline{\text{DC}}$	20.4...28.8 V $\overline{\text{DC}}$	20.4...28.8 V $\overline{\text{DC}}$
Yes	Yes	Yes

Modicon TM5 compact blocks

TM5C12D8T	TM5C24D12R	TM5C24D18T
-----------	------------	------------

Page

17

(1) Source output: PNP output; Sink output: NPN output



Modicon TM5

High-Performance and Safe IP20 Modular I/O System
24 V $\overline{\text{DC}}$ digital compact blocks

Presentation

Modicon **TM5C●●●●** compact blocks offer a cost-effective solution for expanding control system I/O configurations.

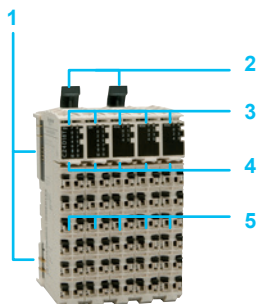
They consist of a block containing the circuit boards, bus bases, and **TM5ACTB12** removable terminal blocks.

- They are a cost-effective way of creating configurations that require a large number of digital channels.
- Regardless of which compact block is chosen, the format is the same and corresponds to five I/O expansion modules.

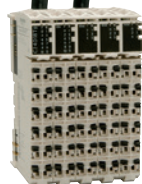
Description

TM5 compact blocks comprise:

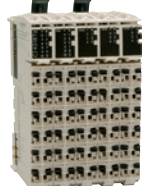
- 1 A bus expansion connection on each side of the base to provide the link with the adjacent controller or block
- 2 Two mechanical clips for locking onto a symmetrical rail
- 3 Five LED display blocks for the compact block's channels and diagnostics
- 4 Five slots for the plain text cover holder (label-holder)
- 5 Five removable spring terminal blocks, each with locking clip and slots for colored ID markers (supplied with the compact blocks)



TM5C12D8T



TM5C24D12R



TM5C24D18T

References

Description	Number of I/O	Inputs	Outputs (1)	Reference	Weight kg/lb
Digital I/O compact blocks	20 I/O	12 digital inputs, 24 V $\overline{\text{DC}}$, Sink, 3-wire	8 digital outputs, transistor, 3-wire, 24 V $\overline{\text{DC}}$, Source, 0.5 A	TM5C12D8T	0.037/ 0.082
	36 I/O	24 digital inputs, 24 V $\overline{\text{DC}}$, Sink, 1-wire, 0.5 A max.	12 digital outputs, 5 A relay, with NO contact, 30 V $\overline{\text{DC}}$ /230 V \sim	TM5C24D12R	0.037/ 0.082
	42 I/O	24 digital inputs, 24 V $\overline{\text{DC}}$, Sink, 1-wire	18 digital outputs, transistor, 24 V $\overline{\text{DC}}$, Source, 0.5 A, 2-wire	TM5C24D18T	0.037/ 0.082

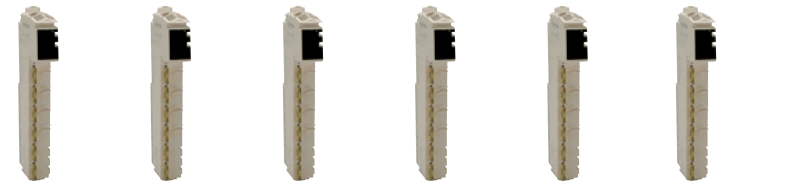
Accessories

See [page 44](#)

(1) Source output: PNP output; Sink output: NPN output

Applications	
Compatibility	Local and remote I/O Distributed I/O with bus coupler

1 to 6 analog input channels	2 to 4 analog output channels
<ul style="list-style-type: none"> Modicon M258 logic controller Modicon LMC058 motion controller Ethernet network interface module CANopen bus interface module Sercos bus interface module 	



Channel connection																																											
Analog inputs	<table border="1"> <tr> <td>Number</td> <td>2</td> <td>2</td> <td>4</td> <td>4</td> <td>2</td> <td>4</td> </tr> <tr> <td>Type</td> <td colspan="4">Voltage/current</td> <td colspan="2">Pt100/Pt1000 temperature probe</td> </tr> <tr> <td>Range</td> <td>-10...+10 V DC 0...20 mA/ 4...20 mA</td> <td>-10...+10 V DC 0...20 mA</td> <td>-10...+10 V DC 0...20 mA/ 4...20 mA</td> <td>-10...+10 V DC 0...20 mA</td> <td>-200...+850 °C/ -328...+1,562 °F</td> <td></td> </tr> <tr> <td>Resolution</td> <td>12 bits + sign</td> <td>15 bits + sign</td> <td>12 bits + sign</td> <td>15 bits + sign</td> <td>16 bits</td> <td></td> </tr> <tr> <td>Sampling period</td> <td>300 µs</td> <td>–</td> <td>400 µs</td> <td>–</td> <td>–</td> <td></td> </tr> <tr> <td></td> <td>1 ms</td> <td>50 µs</td> <td>1 ms</td> <td>50 µs</td> <td>–</td> <td></td> </tr> </table>	Number	2	2	4	4	2	4	Type	Voltage/current				Pt100/Pt1000 temperature probe		Range	-10...+10 V DC 0...20 mA/ 4...20 mA	-10...+10 V DC 0...20 mA	-10...+10 V DC 0...20 mA/ 4...20 mA	-10...+10 V DC 0...20 mA	-200...+850 °C/ -328...+1,562 °F		Resolution	12 bits + sign	15 bits + sign	12 bits + sign	15 bits + sign	16 bits		Sampling period	300 µs	–	400 µs	–	–			1 ms	50 µs	1 ms	50 µs	–	
Number	2	2	4	4	2	4																																					
Type	Voltage/current				Pt100/Pt1000 temperature probe																																						
Range	-10...+10 V DC 0...20 mA/ 4...20 mA	-10...+10 V DC 0...20 mA	-10...+10 V DC 0...20 mA/ 4...20 mA	-10...+10 V DC 0...20 mA	-200...+850 °C/ -328...+1,562 °F																																						
Resolution	12 bits + sign	15 bits + sign	12 bits + sign	15 bits + sign	16 bits																																						
Sampling period	300 µs	–	400 µs	–	–																																						
	1 ms	50 µs	1 ms	50 µs	–																																						

Via removable spring terminal blocks (to be ordered separately)

Analog outputs	<table border="1"> <tr> <td>Number</td> <td>2</td> <td>2</td> <td>4</td> <td>4</td> </tr> <tr> <td>Type</td> <td colspan="2">Thermocouple (J, K, S, N)</td> <td colspan="2">Full bridge strain gage</td> </tr> <tr> <td>Range</td> <td colspan="2">Type J: -210...+1,200 °C (-346...2,192 °F) Type K: -270...+1,372 °C (-454...+2,502 °F) Type S: -50...+1,768 °C (-50...+3,214 °F) Type N: -270...+1,300 °C (-454...+2,372 °F)</td> <td colspan="2">Differential: 85...5,000 Ω</td> </tr> <tr> <td>Resolution</td> <td colspan="2">16 bits</td> <td colspan="2">24 bits</td> </tr> <tr> <td>Response time</td> <td colspan="2">–</td> <td colspan="2">–</td> </tr> </table>	Number	2	2	4	4	Type	Thermocouple (J, K, S, N)		Full bridge strain gage		Range	Type J: -210...+1,200 °C (-346...2,192 °F) Type K: -270...+1,372 °C (-454...+2,502 °F) Type S: -50...+1,768 °C (-50...+3,214 °F) Type N: -270...+1,300 °C (-454...+2,372 °F)		Differential: 85...5,000 Ω		Resolution	16 bits		24 bits		Response time	–		–	
Number	2	2	4	4																						
Type	Thermocouple (J, K, S, N)		Full bridge strain gage																							
Range	Type J: -210...+1,200 °C (-346...2,192 °F) Type K: -270...+1,372 °C (-454...+2,502 °F) Type S: -50...+1,768 °C (-50...+3,214 °F) Type N: -270...+1,300 °C (-454...+2,372 °F)		Differential: 85...5,000 Ω																							
Resolution	16 bits		24 bits																							
Response time	–		–																							

Digital inputs	<table border="1"> <tr> <td>Number and type</td> <td>2</td> <td>2</td> <td>4</td> <td>4</td> </tr> <tr> <td>Nominal input voltage</td> <td colspan="4">Voltage/current</td> </tr> <tr> <td>IEC/EN 61131-2 conformity</td> <td colspan="4">-10...+10 V DC, 0...20 mA</td> </tr> <tr> <td>Type of signal (1)</td> <td>12 bits + sign</td> <td>15 bits + sign</td> <td>12 bits + sign</td> <td>15 bits + sign</td> </tr> <tr> <td>Type of wiring</td> <td colspan="4">1 ms max.</td> </tr> <tr> <td>Limit values</td> <td colspan="4"></td> </tr> <tr> <td>Nominal input current</td> <td colspan="4"></td> </tr> <tr> <td>Input impedance</td> <td colspan="4"></td> </tr> <tr> <td>State 0</td> <td colspan="4"></td> </tr> <tr> <td>State 1</td> <td colspan="4"></td> </tr> </table>	Number and type	2	2	4	4	Nominal input voltage	Voltage/current				IEC/EN 61131-2 conformity	-10...+10 V DC, 0...20 mA				Type of signal (1)	12 bits + sign	15 bits + sign	12 bits + sign	15 bits + sign	Type of wiring	1 ms max.				Limit values					Nominal input current					Input impedance					State 0					State 1				
Number and type	2	2	4	4																																															
Nominal input voltage	Voltage/current																																																		
IEC/EN 61131-2 conformity	-10...+10 V DC, 0...20 mA																																																		
Type of signal (1)	12 bits + sign	15 bits + sign	12 bits + sign	15 bits + sign																																															
Type of wiring	1 ms max.																																																		
Limit values																																																			
Nominal input current																																																			
Input impedance																																																			
State 0																																																			
State 1																																																			

Digital outputs	<table border="1"> <tr> <td>Number</td> <td>2</td> <td>2</td> <td>4</td> <td>4</td> </tr> <tr> <td>Nominal output voltage</td> <td colspan="4">Voltage/current</td> </tr> <tr> <td>Output current per channel</td> <td colspan="4">-10...+10 V DC, 0...20 mA</td> </tr> <tr> <td>Output current per group of channels</td> <td>12 bits + sign</td> <td>15 bits + sign</td> <td>12 bits + sign</td> <td>15 bits + sign</td> </tr> <tr> <td>Type of signal (1)</td> <td colspan="4">1 ms max.</td> </tr> <tr> <td>Type of wiring</td> <td colspan="4"></td> </tr> <tr> <td>Limit values</td> <td colspan="4"></td> </tr> <tr> <td>Short-circuit and overload protection</td> <td colspan="4"></td> </tr> </table>	Number	2	2	4	4	Nominal output voltage	Voltage/current				Output current per channel	-10...+10 V DC, 0...20 mA				Output current per group of channels	12 bits + sign	15 bits + sign	12 bits + sign	15 bits + sign	Type of signal (1)	1 ms max.				Type of wiring					Limit values					Short-circuit and overload protection				
Number	2	2	4	4																																					
Nominal output voltage	Voltage/current																																								
Output current per channel	-10...+10 V DC, 0...20 mA																																								
Output current per group of channels	12 bits + sign	15 bits + sign	12 bits + sign	15 bits + sign																																					
Type of signal (1)	1 ms max.																																								
Type of wiring																																									
Limit values																																									
Short-circuit and overload protection																																									

Digital outputs	<table border="1"> <tr> <td>Number</td> <td>2</td> <td>2</td> <td>4</td> <td>4</td> </tr> <tr> <td>Nominal output voltage</td> <td colspan="4">Voltage/current</td> </tr> <tr> <td>Output current per channel</td> <td colspan="4">-10...+10 V DC, 0...20 mA</td> </tr> <tr> <td>Output current per group of channels</td> <td>12 bits + sign</td> <td>15 bits + sign</td> <td>12 bits + sign</td> <td>15 bits + sign</td> </tr> <tr> <td>Type of signal (1)</td> <td colspan="4">1 ms max.</td> </tr> <tr> <td>Type of wiring</td> <td colspan="4"></td> </tr> <tr> <td>Limit values</td> <td colspan="4"></td> </tr> <tr> <td>Short-circuit and overload protection</td> <td colspan="4"></td> </tr> </table>	Number	2	2	4	4	Nominal output voltage	Voltage/current				Output current per channel	-10...+10 V DC, 0...20 mA				Output current per group of channels	12 bits + sign	15 bits + sign	12 bits + sign	15 bits + sign	Type of signal (1)	1 ms max.				Type of wiring					Limit values					Short-circuit and overload protection				
Number	2	2	4	4																																					
Nominal output voltage	Voltage/current																																								
Output current per channel	-10...+10 V DC, 0...20 mA																																								
Output current per group of channels	12 bits + sign	15 bits + sign	12 bits + sign	15 bits + sign																																					
Type of signal (1)	1 ms max.																																								
Type of wiring																																									
Limit values																																									
Short-circuit and overload protection																																									

Power supply	Internal						
Isolation	<table border="1"> <tr> <td>Channel-to-channel</td> <td>Non-isolated</td> </tr> <tr> <td>Between groups of channels</td> <td>–</td> </tr> <tr> <td>Between channels and bus</td> <td>500 V ~ RMS</td> </tr> </table>	Channel-to-channel	Non-isolated	Between groups of channels	–	Between channels and bus	500 V ~ RMS
Channel-to-channel	Non-isolated						
Between groups of channels	–						
Between channels and bus	500 V ~ RMS						

Electronic modules	<table border="1"> <tr> <td>TM5SAI2L</td> <td>TM5SAI2H</td> <td>TM5SAI4L</td> <td>TM5SAI4H</td> <td>TM5SAI2PH</td> <td>TM5SAI4PH</td> </tr> </table>	TM5SAI2L	TM5SAI2H	TM5SAI4L	TM5SAI4H	TM5SAI2PH	TM5SAI4PH
TM5SAI2L	TM5SAI2H	TM5SAI4L	TM5SAI4H	TM5SAI2PH	TM5SAI4PH		

Electronic modules	<table border="1"> <tr> <td>TM5SAI2TH</td> <td>TM5SAI6TH</td> <td>TM5SEAI5G</td> <td>TM5SAO2L</td> <td>TM5SAO2H</td> <td>TM5SAO4L</td> <td>TM5SAO4H</td> </tr> </table>	TM5SAI2TH	TM5SAI6TH	TM5SEAI5G	TM5SAO2L	TM5SAO2H	TM5SAO4L	TM5SAO4H
TM5SAI2TH	TM5SAI6TH	TM5SEAI5G	TM5SAO2L	TM5SAO2H	TM5SAO4L	TM5SAO4H		

Compatible bus bases (2)	TM5ACBM11, TM5ACBM15
Compatible removable terminal block (2)	TM5ACTB06, TM5ACTB12

Compatible bus bases (2)	TM5ACBM11, TM5ACBM15
Compatible removable terminal block (2)	TM5ACTB06, TM5ACTB12

Compatible bus bases (2)	TM5ACBM11, TM5ACBM15
Compatible removable terminal block (2)	TM5ACTB06, TM5ACTB12

Page	21
-------------	----

Page	21
-------------	----

(1) Source output: PNP output; Sink output: NPN output
(2) To be ordered separately

Modicon TM5

High-Performance and Safe IP20 Modular I/O System Analog modules

Presentation

TM5SAI●● and **TM5SEIAISG** analog input modules are used to acquire various analog values encountered in industrial applications.

TM5SAO●●● analog output modules are used to control preactuators in physical units, such as variable speed drives or valves, and applications where process control is required. The output current or voltage is proportional to the numerical value defined by the user program.

When the controller stops, the outputs can be configured to fall back (set to the low scale value or held at their value). This function, when set to 'hold', is useful when debugging the application or when a fault occurs, so as not to disturb the process being controlled.

Depending on the application requirements, these modules are available with 12-, 16-, or 24-bit resolution.

Each analog module comprises three parts to be ordered separately (1):

- An input or output electronic module
- A bus base
- A terminal block

These modules can be mechanically assembled before mounting on a symmetrical rail.

They offer the following advantages:

- Removable terminal block
- Spring terminals that can be used for quick, tool-free connection of the sensors and preactuators (the quality of the spring terminals avoids the need for periodic retightening)
- Hot swapping capability

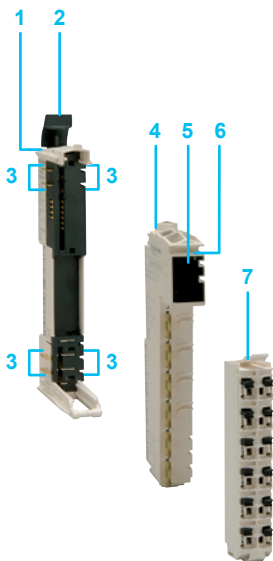
Use of the **TM2XMTGB** grounding plate is recommended. This simplifies connection of the cable shielding for the analog sensors and actuators (shielding must be connected to the device's functional ground).

Description

The analog modules comprise:

- 1 A bus base
- 2 A mechanical clip for locking onto a symmetrical rail
- 3 A bus expansion connection on each side of the base to provide the link with the adjacent controller or module
- 4 An analog input or output electronic module
- 5 An LED display block for the module channels and diagnostics
- 6 A slot for the plain text cover holder (label holder)
- 7 A removable spring terminal block with locking clip and slots for colored ID markers

(1) Also sold as a complete kit, see [page 21](#)





TM5SAI●●
TM5SAO●●
TM5SAO●●



TM5ACBM●●



TM5ACTB●●



TM5SA●4●K



TM2XMTGB

References

Description	Number and type of channels	Range	Resolution	Reference	Weight kg/lb
Analog input electronic modules	2 voltage/current inputs	-10...+10 V DC, 0...20 mA/4...20 mA	12 bits + sign	TM5SAI2L	0.025/ 0.055
		-10...+10 V DC, 0...20 mA	15 bits + sign	TM5SAI2H	
	4 voltage/current inputs	-0...+10 V DC, 0...20 mA/4...20 mA	12 bits + sign	TM5SAI4L	
		-10...+10 V DC, 0...20 mA	15 bits + sign	TM5SAI4H	
	2 Pt100/Pt1000 temperature probe inputs	-200...+850 °C (-328...+1,562 °F)	16 bits	TM5SAI2PH	
	4 Pt100/Pt1000 temperature probe inputs		16 bits	TM5SAI4PH	
Analog output electronic modules	2 thermocouple inputs (J, K, S, N)	Type J: -210...+1,200 °C (-346...2,192 °F)	16 bits	TM5SAI2TH	
	6 thermocouple inputs (J, K, S, N)	Type K: -270...+1,372 °C (-454...+2,502 °F)	16 bits	TM5SAI6TH	
		Type S: -50...+1,768 °C (-50...+3,214 °F)			
		Type N: -270...+1,300 °C (-454...+2,372 °F)			
	1 full bridge strain gage input	Differential: 85...5,000 Ω	24 bits	TM5SEAISG	
Analog output electronic modules	2 voltage/current outputs	-10...+10 V DC, 0...20 mA	12 bits + sign	TM5SAO2L	0.025/ 0.055
			15 bits + sign	TM5SAO2H	
	4 voltage/current outputs	-10...+10 V DC, 0...20 mA	12 bits + sign	TM5SAO4L	
			15 bits + sign	TM5SAO4H	

Description	Characteristics	Reference	Weight kg/lb
Bus bases	24 V ---	TM5ACBM11	0.020/ 0.044
	24 V --- With address setting	TM5ACBM15	0.020/ 0.044
Terminal blocks	For analog I/O electronic module 6 spring terminals	TM5ACTB06	0.016/ 0.035
	For analog I/O electronic module 12 spring terminals	TM5ACTB12	0.020/ 0.044

Separate parts

Description	Characteristics	Unit reference	Weight kg/lb
Grounding plate	Support equipped with 10 male Faston connectors for connecting the cable shielding (via 6.35 mm/0.25 in. connectors, not supplied) and the functional grounds (FG)	TM2XMTGB	0.045/ 0.099
Mounting kit Sold in lots of 5	For mounting analog modules on a plate or panel	TWDXMT5	0.065/ 0.143

Analog I/O expansion module kits

Description	Composition	Reference	Weight kg/lb
Kit comprising: - an analog input or output electronic module - a bus base - a terminal block	TM5SAI4L + TM5ACBM11 + TM5ACTB12	TM5SAI4LK	0.075/ 0.165
	TM5SAI4H + TM5ACBM11 + TM5ACTB12	TM5SAI4HK	
	TM5SAO4L + TM5ACBM11 + TM5ACTB12	TM5SAO4LK	

Accessories

See [page 44](#)

Modicon TM5

High-Performance and Safe IP20 Modular I/O System
Counter modules

Applications	Upcounting, downcounting, period meter, frequency meter, frequency generator, axis following with encoder	
Compatibility	Local and remote I/O	–
	Distributed I/O	–
	Sercos bus interface module (1)	Sercos bus interface module (1)



Channel connection	Via removable spring terminal blocks (to be ordered separately)	
Number of counter channels	2	1
IEC/EN 61131-2 conformity	Type 1	Incremental
Type of signal (2)	Sink	Sink
Type of input	1-, 2-, or 3-wire	–
Nominal input voltage	24 V $\overline{\text{---}}$	24 V $\overline{\text{---}}$, asymmetrical
Voltage limit values	20.4...28.8 V $\overline{\text{---}}$	–
Frequency per channel	50 kHz	100 kHz
Resolution	–	16/32 bits
Functions	Event counting Interval measurement	2 x 24 V $\overline{\text{---}}$ auxiliary inputs 24 V $\overline{\text{---}}$ encoder power supply
Counter modules	TM5SDI2DF	TM5SE1IC01024
Compatible bus bases (3)	TM5ACBM11, TM5ACBM15	
Compatible removable terminal block (3)	TM5ACTB12	
Page	25	

(1) PacDrive LMC Eco/Pro/Pro2 motion controllers only
(2) Source output: PNP output; Sink output: NPN output
(3) To be ordered separately

Upcounting, downcounting, period meter, frequency meter, frequency generator, axis following with encoder				
–	■ Modicon M258 logic controller ■ Modicon LMC058 motion controller	–	–	–
Sercos bus interface module (1)	■ Ethernet network interface module ■ CANopen bus interface module ■ Sercos bus interface module	Sercos bus interface module (1)	Sercos bus interface module (1)	Sercos bus interface module (1)



Via removable spring terminal blocks (to be ordered separately)				
2	1	1	1	1
Incremental	Incremental	SSI absolute	Incremental	Incremental
Sink	RS422, Sink	Sink	Sink	Sink
–	–	–	3-wire	3-wire
24 V $\overline{\text{---}}$, asymmetrical	5 V $\overline{\text{---}}$, symmetrical	5 V $\overline{\text{---}}$, symmetrical	5 V $\overline{\text{---}}$, symmetrical	5 V $\overline{\text{---}}$, symmetrical
–	20.4...28.8 V $\overline{\text{---}}$	20.4...28.8 V $\overline{\text{---}}$	20.4...28.8 V $\overline{\text{---}}$	20.4...28.8 V $\overline{\text{---}}$
100 kHz	250 kHz	1 MHz	4 MHz	4 MHz
16/32 bits	16/32 bits	32 bits	16/32 bits	16/32 bits
2 x 24 V $\overline{\text{---}}$ auxiliary inputs 24 V $\overline{\text{---}}$ encoder power supply	2 x 24 V $\overline{\text{---}}$ auxiliary inputs	2 x 24 V $\overline{\text{---}}$ auxiliary inputs	1 encoder emulation channel (A/B) with reference pulse	1 ABR incremental encoder, 5 V
TM5SE2IC01024	TM5SE1IC02505	TM5SE1SC10005	TM5SE1MISC20005	TM5SE1IC20005
TM5ACBM11, TM5ACBM15				
TM5ACTB12				
25				

More technical information on www.schneider-electric.com

Modicon TM5

High-Performance and Safe IP20 Modular I/O System Counter modules

Presentation

TM5SDI12DF and **TM5SE●●●●●●●●** modules are used to count the pulses generated by a sensor or to process signals from an incremental encoder, depending on the selected reference.

The breadth of the TM5 counter modules offer makes it possible to adapt the configuration to the machine's exact requirements: the counter electronic modules differ in terms of their frequency and the functions offered.

The function parameters are configured using EcoStruxure Machine Expert software.

Each TM5 counter module comprises three parts to be ordered separately:

- A counter electronic module
- A bus base
- A terminal block

These modules can be mechanically assembled before mounting on a symmetrical rail. They offer the following advantages:

- Removable terminal block
- Spring terminals that can be used for quick, tool-free connection of the sensors and preactuators (the quality of the spring terminals avoids the need for periodic retightening)
- Hot swapping capability

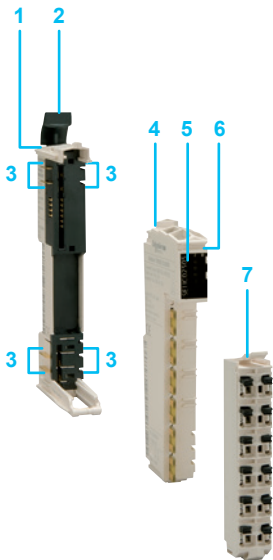
Counter module compatibility		
	TM5SDI12DF TM5SE11C01024 TM5SE21C01024 TM5SE1MISC20005 TM5SE11C20005	TM5SE11C02505 TM5SE11C10005
Local and remote I/O	–	<ul style="list-style-type: none"> ■ Modicon M258 logic controller ■ Modicon LMC058 motion controller
Distributed I/O	<ul style="list-style-type: none"> ■ Sercos bus interface module (1) 	<ul style="list-style-type: none"> ■ Ethernet network interface module ■ CANopen bus interface module ■ Sercos bus interface module

Description

TM5 counter modules comprise:

- 1 A bus base
- 2 A mechanical clip for locking onto a symmetrical rail
- 3 A bus expansion connection on each side of the base to provide the link with the adjacent controller or module
- 4 A counter electronic module
- 5 An LED display block for the module channels and diagnostics
- 6 A slot for the plain text cover holder (label holder)
- 7 A removable spring terminal block with locking clip and slots for colored ID markers

(1) PacDrive LMC Eco/Pro/Pro2 motion controllers only



Modicon TM5

High-Performance and Safe IP20 Modular I/O System
Counter modules



TM5SDI2DF



TM5SE●●●●●●●●



TM5ACBM●●



TM5ACTB●●

References

Description	Counting frequency	Number of channels Function	Reference	Weight kg/lb
Counter electronic modules	50 kHz	2 counter channels: event counting, interval measurement	TM5SDI2DF	0.025/ 0.055
	100 kHz	1 incremental encoder channel 2 x 24 V $\overline{\text{---}}$ auxiliary inputs	TM5SE1IC01024	
	100 kHz	2 incremental encoder channels 2 x 24 V $\overline{\text{---}}$ auxiliary inputs	TM5SE2IC01024	
	250 kHz	1 incremental encoder channel 2 x 24 V $\overline{\text{---}}$ auxiliary inputs	TM5SE1IC02505	
	1 MHz	1 absolute encoder channel 2 x 24 V $\overline{\text{---}}$ auxiliary inputs	TM5SE1SC10005	
	4 MHz	1 encoder emulation channel (A/B) with reference pulse 2 x 24 V $\overline{\text{---}}$ auxiliary inputs	TM5SE1MISC20005	
	4 MHz	1 ABR incremental encoder, 5 V 2 x 24 V $\overline{\text{---}}$ auxiliary inputs	TM5SE1IC20005	

Description	Characteristics	Reference	Weight kg/lb
Bus bases	24 V $\overline{\text{---}}$	TM5ACBM11	0.020/ 0.044
	24 V $\overline{\text{---}}$ With address setting	TM5ACBM15	0.020/ 0.044
Terminal blocks	For counter electronic module 12 spring terminals	TM5ACTB12	0.020/ 0.044

Accessories

See [page 44](#)

Modicon TM5

High-Performance and Safe IP20 Modular I/O System Transmitter and receiver modules

Presentation

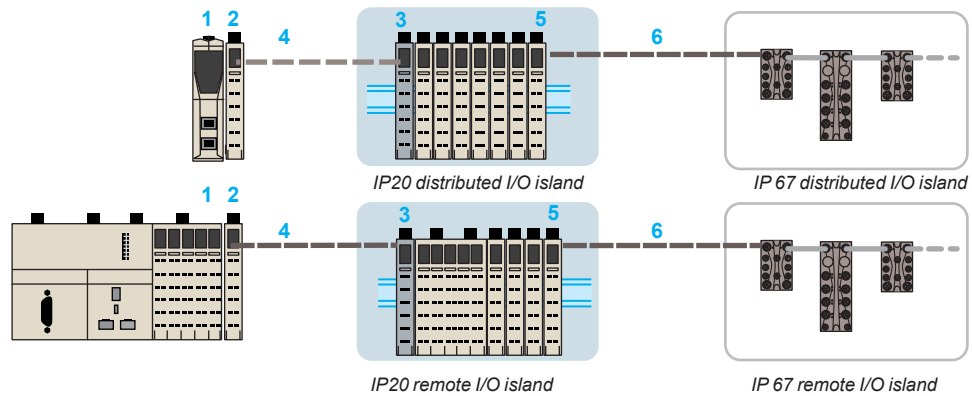
Transmitter and receiver modules are used to create remote and distributed I/O islands via the TM5 expansion bus. This makes it possible to:

- Adapt the architecture as close as possible to the machine topology, and reduce wiring costs by minimizing the distance between the I/O modules and the sensors/preactuators
- Take full advantage of the TM5 expansion bus exchange performance, and save the cost of a fieldbus connection

Remote I/O modules are needed to:

- Increase the number of distributed I/O with a network interface module (Ethernet, Sercos, or CANopen) beyond 100 m/328 ft (1)
- Increase the number of remote I/O with a logic controller beyond 100 m/328 ft (1)

They are used to exchange incoming and outgoing data from the I/O expansion modules, and to maintain data exchange performance.



- The **TM5SBET1** transmitter module (2) operates with the **TM5SBER2** receiver module (3) to transmit data between IP20 I/O islands. The transmitter (2) and receiver (3) modules are physically connected via the **TCSXCNNX100** remote I/O cable (4).

- The **TM5SBET7** transmitter module (5) transmits data from an IP20 island to an IP67 island (1) via a TM7 expansion bus (6).

The maximum distance between two islands is 100 m (328 ft) and the maximum total distance is 2,500 m (8,202 ft).

Each remote I/O module comprises three parts to be ordered separately:

- A remote electronic module, either transmitter or receiver
- A bus base
- A terminal block

These modules can be mechanically assembled before mounting on a symmetrical rail.

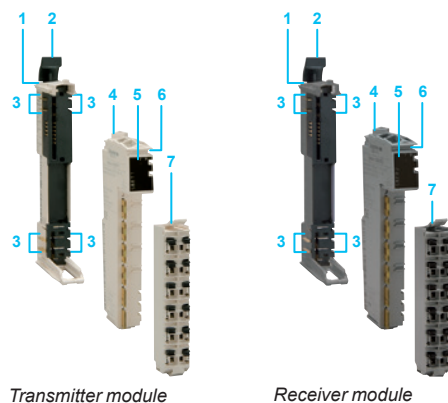
They offer the following advantages:

- Removable connector
- Spring terminals that can be used for quick, tool-free connection of the sensors and preactuators (the quality of the spring terminals avoids the need for periodic retightening)

Transmitter and receiver module compatibility

	TM5SBET1, TM5SBER2
Local and remote I/O	<ul style="list-style-type: none"> ■ Modicon M258 logic controller ■ Modicon LMC058 motion controller
Distributed I/O	<ul style="list-style-type: none"> ■ Ethernet network interface module ■ CANopen bus interface module ■ Sercos bus interface module

Description



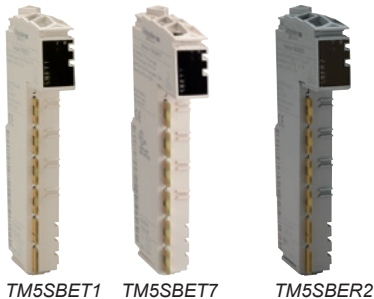
Transmitter and receiver modules comprise:

- 1 A bus base
- 2 A mechanical clip for locking onto a symmetrical rail
- 3 A bus expansion connection on each side of the base to provide the link with the adjacent controller or module
- 4 A remote I/O electronic module, either transmitter or receiver
- 5 An LED display block for the module channels and diagnostics
- 6 A slot for the plain text cover holder (label holder)
- 7 A removable spring terminal block with locking clip and slots for colored ID markers

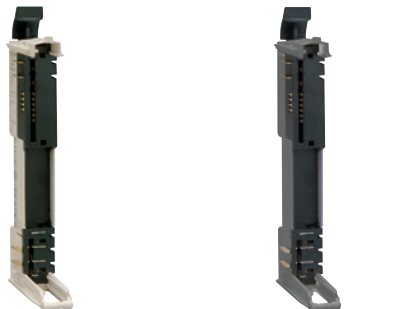
(1) Modicon TM7, please refer to catalog ref. [DIA3ED2140405EN](#)

Modicon TM5

High-Performance and Safe IP20 Modular I/O System
Transmitter and receiver modules



TM5SBET1 TM5SBET7 TM5SBER2



TM5ACBM1 TM5ACBM0R



TM5ACTB TM5ACTB12PS

References

Description	Characteristics	Reference	Weight kg/lb
Transmitter module	Electronic module for data transmission between IP 20 I/O islands	TM5SBET1	0.025/ 0.055
	Electronic module for data transmission between IP 20 I/O islands and IP67 I/O islands Includes the power supply for the TM7 expansion blocks (1)	TM5SBET7	
Receiver module	Data reception electronic module Power distribution module for electronic modules and the TM5 bus, 24 V $\bar{\text{c}}$ power supply	TM5SBER2	
Remote I/O connection cable	Bus expansion by linking transmitter and receiver modules Length: 100 m (328 ft)	TCSXCNNXN100	8.800/ 19.401
Bus bases	For TM5SBET1 and TM5SBET7 transmitter modules	TM5ACBM11	0.020/ 0.044
	For TM5SBET1 and TM5SBET7 transmitter modules, with address setting	TM5ACBM15	0.020/ 0.044
	For TM5SBER2 receiver module	TM5ACBM01R	0.020/ 0.044
	For TM5SBER2 receiver module, with address setting	TM5ACBM05R	0.020/ 0.044
Terminal blocks	For TM5SBET1 transmitter module 6 spring terminals	TM5ACTB06	0.016/ 0.035
	For TM5SBET1 and TM5SBET7 transmitter modules 12 spring terminals	TM5ACTB12	0.020/ 0.044
	For TM5SBER2 receiver module 12 spring terminals	TM5ACTB12PS	0.020/ 0.044

Accessories

See [page 44](#)

(1) Modicon TM7, please refer to catalog ref. [DIA3ED2140405EN](#)

Modicon TM5

High-Performance and Safe IP20 Modular I/O System
Communication module for RS232 serial link

Presentation

The **TM5SE1RS2** communication module is designed for PacDrive LMC Eco/Pro/Pro2 and Modicon LMC078 motion controllers, and the Modicon M262 logic/motion controller.

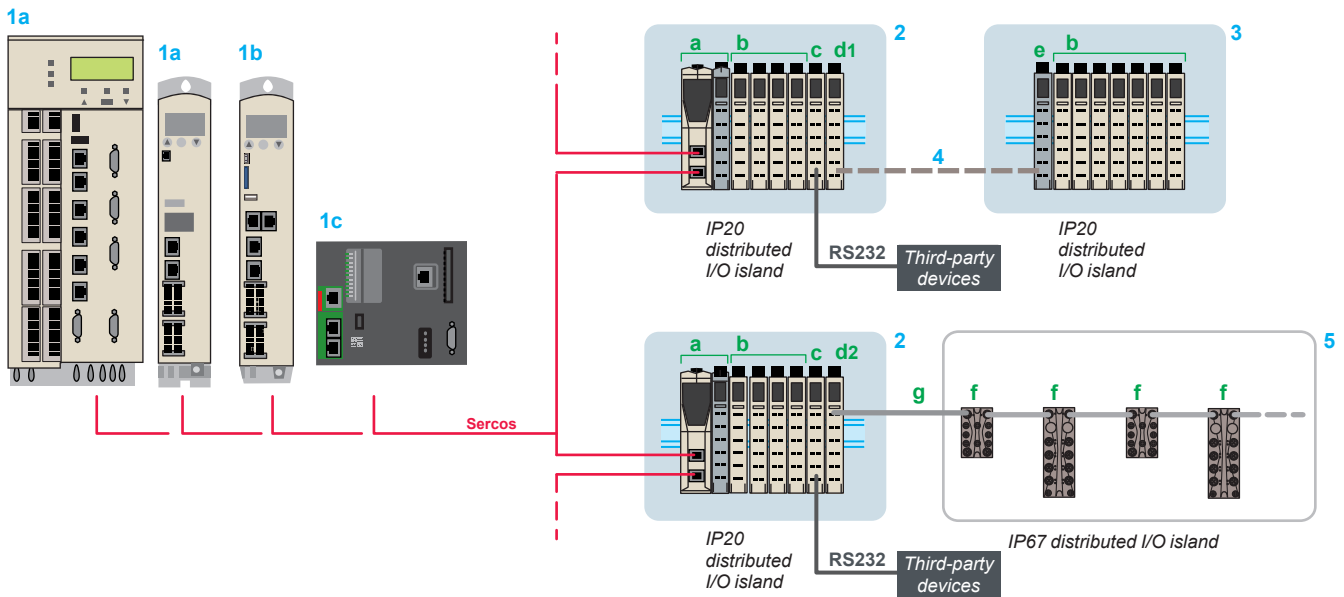
It provides multiple RS232 ports on the Sercos bus for connecting third-party devices to controllers.

The TM5SE1RS2 communication module can be integrated into remote and distributed architectures.

EcoStruxure Machine Expert software provides configuration and read/write functionality.

Communication module compatibility

	TM5SE1RS2
Local and remote I/O	<ul style="list-style-type: none"> ■ Modicon LMC078 motion controller
Distributed I/O	<ul style="list-style-type: none"> ■ CANopen bus interface module ■ Sercos bus interface module

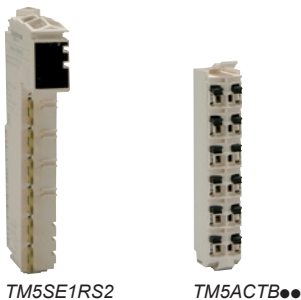
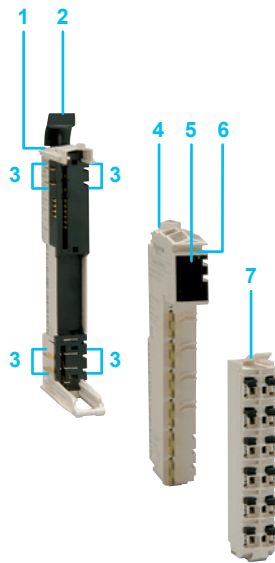


- 1 Sercos bus masters: **a** PacDrive LMC Eco/Pro/Pro2 motion controllers **b** Modicon LMC078 motion controller **c** Modicon M262 logic/motion controller
- 2 IP20 distributed I/O island (1): TM5 interface module (**a**) + I/O modules (**b**) + TM5SE1RS2 communication module (**c**) + TM5SBET1 (**d1**)/TM5SBET7 (**d2**) transmitter modules
- 3 IP20 distributed I/O island: TM5SE1RS2 receiver module (**e**) + TM5 I/O modules (**b**)
- 4 TM5 expansion bus: TCSXCNNXNX100 remote I/O connection cable
- 5 IP67 distributed I/O island (1): TM7 I/O blocks (digital or analog) (**e**) + TCSXCNNXNX100E TM7 bus expansion cable (**g**)

(1) Modicon TM7, please refer to catalog ref. [DIA3ED2140405EN](#)

Modicon TM5

High-Performance and Safe IP20 Modular I/O System
Communication module for RS232 serial link



TM5SE1RS2

TM5ACTB06



TM5ACBM11

Description

The **TM5SE1RS2** communication module comprises:

- 1 A bus base
- 2 A mechanical clip for locking onto a symmetrical rail
- 3 A bus expansion connection on each side of the base to provide the link with the adjacent controller or module
- 4 An RS232 interface electronic module
- 5 An LED display block for the module channels and diagnostics
- 6 A slot for the plain text cover holder (label holder)
- 7 A removable spring terminal block with locking clip and slots for colored ID markers

References

Designation	Description	Reference	Weight kg/lb
RS232 interface electronic module	<ul style="list-style-type: none"> - Machine Expert protocol - Physical layer: RS232 - Baud rate: 1,200 to 115,200 Kbps - Capacity: 7 or 8 data bits - Services: low/high/even, none, odd parity bit 	TM5SE1RS2	0.064/ 0.141
Bus base	24 V \overline{V}	TM5ACBM11	0.020/ 0.044
Terminal blocks	For the RS232 interface electronic module	TM5ACTB06	0.016/ 0.035
	For the RS232 interface electronic module	TM5ACTB12	0.020/ 0.044

Accessories

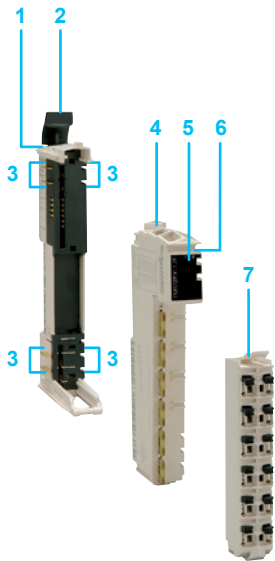
See [page 44](#)

Configuration software

EcoStruxure Machine Expert software, please refer to catalog ref. [DIA3ED2180701EN](#)

Modicon TM5

High-Performance and Safe IP20 Modular I/O System
Common distribution modules



Presentation

TM5SP●●● common distribution modules make cabling more flexible by “branching” the different voltages needed to power the I/O expansion modules used.

Each common distribution module comprises three parts to be ordered separately:

- A common distribution electronic module
- A bus base
- A terminal block to be chosen according to the number of terminals

These modules can be mechanically assembled before mounting on a symmetrical rail.

They offer the following advantages:

- Removable terminal block
- Spring terminals that can be used for quick, tool-free connection of the sensors and preactuators (the quality of the spring terminals avoids the need for periodic retightening)
- Hot swapping capability

The power supply common distribution module offer comprises:

- Common distribution electronic modules that have an integral, removable fuse
- The **TM5SD000** non-functioning dummy electronic module, which increases the degree of flexibility in terms of managing the various options for an installation (machine with or without temperature sensors, for example). It is also used to reserve a physical slot and a logical address on the backplane bus, for adding a functioning module (such as an application-specific I/O expansion module) at a later date.

Common distribution module compatibility

	TM5SP●●●
Local and remote I/O	<ul style="list-style-type: none"> ■ Modicon M258 logic controller ■ Modicon LMC058 motion controller
Distributed I/O	<ul style="list-style-type: none"> ■ Ethernet network interface module ■ CANopen bus interface module ■ Sercos bus interface module

Description

TM5SP●●● common distribution modules comprise:

- 1 A bus base
- 2 A mechanical clip for locking onto a symmetrical rail
- 3 A bus expansion connection on each side of the base to provide the link with the adjacent controller or module
- 4 A power supply common distribution electronic module
- 5 An LED display block for the module channels and diagnostics
- 6 A slot for the plain text cover holder (label holder)
- 7 A removable spring terminal block with locking clip and slots for colored ID markers

References

Description	Characteristics	Reference	Weight kg/ lb
Common distribution electronic modules (1) 24 V ---	12 x 0 V DC commons with 1 fuse	TM5SPDG12F	0.025/ 0.055
	12 x 24 V DC commons with 1 fuse	TM5SPDD12F	0.025/ 0.055
	6 x 0 V DC commons 6 x 24 V DC commons, with 1 fuse	TM5SPDG6D6F	0.025/ 0.055
Dummy electronic module	Non-functioning: Used for reserving slots and logical addresses	TM5SD000	0.015/ 0.033
Bus bases	24 V ---	TM5ACBM11	0.020/ 0.044
	24 V --- With address setting	TM5ACBM15	0.020/ 0.044
	Terminal blocks	For power supply common distribution module 6 spring terminals	TM5ACTB06
For power supply common distribution module 12 spring terminals		TM5ACTB12	0.020/ 0.044

Accessories

See [page 44](#)

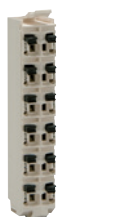
(1) Equipped with 5 x 20 internal fuse, slow-blow 6.3A



TM5SPDG●●●



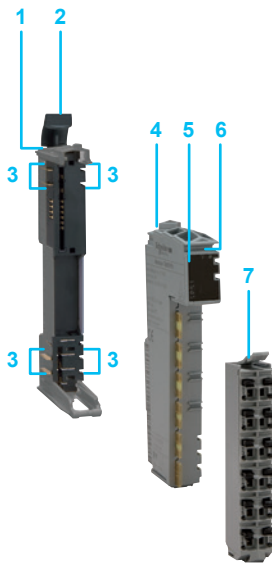
TM5ACBM●●



TM5ACTB●●

Modicon TM5

High-Performance and Safe IP20 Modular I/O System
Power distribution modules



Presentation

TM5SP●● power distribution modules are designed to supply power to the I/O modules and/or the TM5 bus.

Each power distribution module comprises three parts to be ordered separately:

- A power distribution electronic module
- A bus base
- A terminal block

These modules can be mechanically assembled before mounting on a symmetrical rail.

They offer the following advantages:

- Removable terminal block
- Spring terminals that can be used for quick, tool-free connection of the sensors and preactuators (the quality of the spring terminals avoids the need for periodic retightening)

Four power distribution modules are available.

Power distribution module compatibility

	TM5SP●●
Local and remote I/O	<ul style="list-style-type: none"> ■ Modicon M258 logic controller ■ Modicon LMC058 motion controller
Distributed I/O	<ul style="list-style-type: none"> ■ Ethernet network interface module ■ CANopen bus interface module ■ Sercos bus interface module

Description

Power distribution modules comprise:

- 1 A bus base
- 2 A mechanical clip for locking onto a symmetrical rail
- 3 A bus expansion connection on each side of the base to provide the link with the adjacent controller or module
- 4 A power distribution electronic module
- 5 An LED display block for the module channels and diagnostics
- 6 A slot for the plain text cover holder (label holder)
- 7 A removable spring terminal block with locking clip and slots for colored ID markers

References

Description	Characteristics	Fuse	Reference	Weight kg/lb
Power distribution electronic modules	24 V $\ddot{=}$ power supply for the I/O modules	–	TM5SPS1	0.030/ 0.066
	Max. total I: 10 A	6.3 A internal fuse	TM5SPS1F	0.030/ 0.066
	Power supply	–	TM5SPS2	0.030/ 0.066
	- for the I/O (24 V $\ddot{=}$) - for the TM5 bus (bus power supply: 7 W)	6.3 A internal fuse	TM5SPS2F	0.030/ 0.066
Bus bases	Isolated on the left on the 24 V $\ddot{=}$ I/O module power supply		TM5ACBM01R	0.020/ 0.044
	Isolated on the left on the 24 V $\ddot{=}$ I/O module power supply With address setting		TM5ACBM05R	0.020/ 0.044
Terminal block	For power distribution electronic module 24 V $\ddot{=}$ 12 spring terminals		TM5ACTB12PS	0.020/ 0.044

Accessories

See [page 44](#)



TM5SP●●



TM5ACBM●●

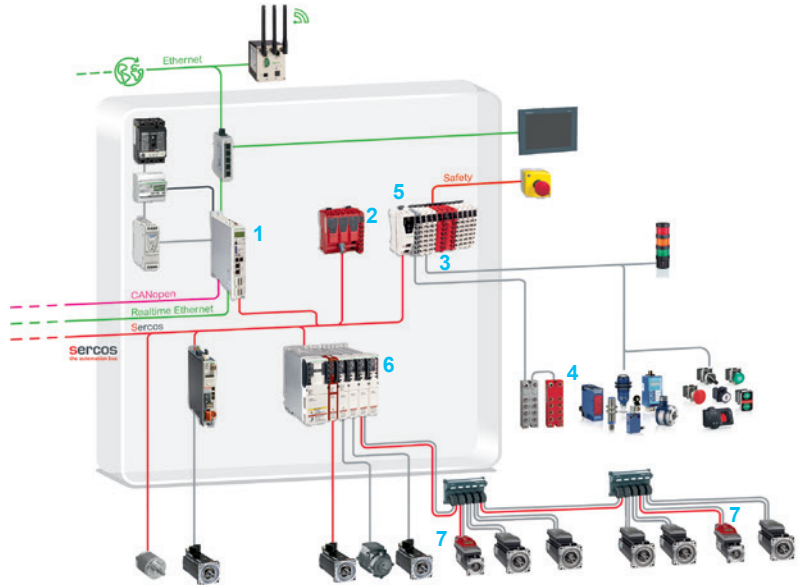


TM5ACTB●●

Modicon TM5

High-Performance and Safe IP20 Modular I/O System
 Safety logic controllers and safety I/O modules

Modicon TM5CSLC safety logic controllers



The Modicon TM5CSLC safety logic controllers for PacDrive are suitable for applications requiring distributed safety over the Sercos network.

Architecture

- The architecture comprises a PacDrive LMC motion controller (1) or a Modicon M262 logic/motion controller (Sercos bus masters) and the Modicon TM5CSLC safety logic controller (2) (Sercos slave interface).
- The Modicon TM5CSLC safety logic controller manages the safety-related application over the Sercos network. It provides the following functions:
 - configuration management
 - parameter management
 - secure execution of the application program
- The safety logic controller has a 24 V DC power supply and is equipped with two integrated shielded RJ45 ports for connecting the Sercos bus (100 Mbps) and a memory key interface.
- The Modicon TM5 (3) and Modicon TM7 (4) safety I/O modules are connected to Modicon TM5CSLC safety logic controllers by means of Modicon TM5 Sercos interface modules (5).
- The TM5CSLC100FS safety logic controller is used to manage a group of 20 safety nodes consisting of I/O islands, Lexium 62 safety servo drives (6) (1), or a Lexium 62 ILM integrated drive (7) with optional safety module (2).
- The TM5CSLC200FS safety logic controller is used to manage a group of 100 safety nodes consisting of I/O islands, Lexium 62 safety servo drives (6) (1), or a Lexium 62 ILM integrated drive (7) with optional safety module (2).

Programming

- The safety system is programmed using **EcoStruxure Machine Expert – Safety** software. When the software is installed, the editor is embedded into the **EcoStruxure Machine Expert** programming environment where each hardware component is defined: the TM5CSLC safety logic controller, Modicon TM5 safety I/O modules, Modicon TM7 safety I/O blocks, Lexium 62 servo drives, and the Lexium 62 ILM integrated drive with optional safety module.
- The application program and configuration of the safety hardware are managed by the EcoStruxure Machine Expert – Safety software editor.

Safety logic controller compatibility

	TM5CSLC●●●●●
Local and remote I/O	–
Distributed I/O	Sercos bus interface module (with PacDrive LMC Eco/Pro/Pro2 logic controllers or M262 logic/motion controller)

(1) Refer to catalog ref. [DIA7ED2160305EN](#)
 (2) Refer to catalog ref. [DIA7ED2160306EN](#)



[DIA7ED2160305EN](#)



[DIA7ED2160306EN](#)

Modicon TM5

High-Performance and Safe IP20 Modular I/O System
Safety logic controllers and safety I/O modules

Certification

The Modicon TM5 embedded safety offer is certified by TÜV Nord Group up to performance level PLe according to EN ISO 13849-1, and SIL cl 3 according to IEC 61508 and IEC 62061.

Characteristics of Modicon TM5CSLC safety logic controllers

Criteria	Characteristic value
Category according to EN ISO 13849	Cat 4
Maximum performance level according to EN ISO 13849	PL e
Maximum safety integrity level according to IEC 62061	SIL 3
Maximum safety integrity level according to IEC 61508	SIL 3
PFH	$< 1 * 10^{-10}$
PFD	- $< 1 * 10^{-5}$ for a proof test interval of 10 years - $< 2 * 10^{-5}$ for a proof test interval of 20 years
PT	20 years max.
SFF	> 90%
Service life	20 years max.
DC	> 90%
MTTFd	> 2,500 years

References

Designation	Description	Reference	Weight kg/lb
Safety logic controllers	20 safety nodes	TM5CSLC100FS	0.290/ 0.64
	100 safety nodes	TM5CSLC200FS	0.290/ 0.64

Accessory

Memory key for TM5 safety system

The TM5CSLC safety logic controller requires a memory key in order to operate. This is used to save the program, parameters, and system configuration. The memory key is designed with a mechanical locking mechanism to prevent unintended removal.

Designation	Description	Reference	Weight kg/lb
Memory key with locking mechanism	8 MB	TM5ACSLCM8FS	0.003/ 0.007

Programming software

EcoStruxure Machine Expert – Safety
Programming software for TM5CSLC safety logic controllers
Please refer to catalog ref. [DIA3ED2180701EN](#)



TM5CSLC00FS



TM5ACSLCM8FS

Modicon TM5

High-Performance and Safe IP20 Modular I/O System
Safety logic controllers and safety I/O modules

Modicon TM5 safety I/O expansion modules (IP20)

The range of safety digital I/O expansion modules comprises:

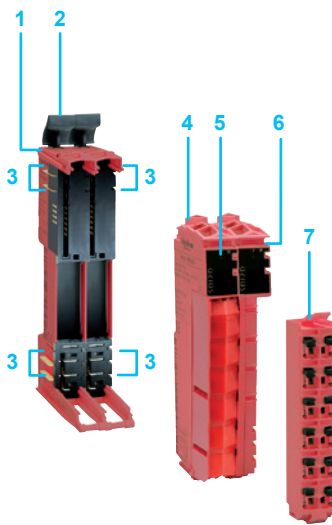
- safety digital input and output modules
- safety analog and temperature input modules
- safety counter input modules

Each safety I/O expansion module comprises three parts to be ordered separately:

- A safety I/O electronic module
- A safety bus base
- A safety removable spring terminal block

Safety I/O module compatibility

	TM5CSLC●●●●●
Local and remote I/O	–
Distributed I/O	Sercos bus interface module (with PacDrive logic controllers or M262 logic/motion controller)



Description

Safety I/O modules comprise:

- 1 A bus base
- 2 Two mechanical clips for locking onto a symmetrical rail
- 3 A bus expansion connection on each side of the base to provide the link with the adjacent controller or module
- 4 A power distribution electronic module
- 5 An LED display block for the module channels and diagnostics
- 6 A slot for the plain text cover holder (label holder)
- 7 A removable spring terminal block with locking clip and slots for colored ID markers

Modicon TM5

High-Performance and Safe IP20 Modular I/O System
Safety logic controllers and safety I/O modules



TM5SD●●●●●



TM5SAI4AFS
TM5STI4ATCFS



TM5SDC1FS



TM5ACBM3FS



TM5ACTB52FS
TM5ACTB5FFS



TM5SPS10FS



TM5ACBM4FS



TM5NS31



TM5SPS3



TM5ACBN1



TM5ACTB12PS

References				
Designation	Description	Reference	Weight	kg/lb
Safety digital I/O electronic modules				
Safety digital input modules	2 safety digital inputs, 24 V DC, sink	TM5SDI2DFS	0.025/	0.055
	4 safety digital inputs, 24 V DC, sink	TM5SDI4DFS	0.025/	0.055
	20 safety digital inputs, 24 V DC, sink	TM5SDI20DFS	0.059/	0.013
Safety mixed digital I/O modules	2 safety digital inputs, 24 V DC, sink 2 NO safety relay outputs	TM5SDM4DTRFS	0.025/	0.055
	6 safety digital inputs, 24 V DC, sink 2 safety digital outputs, 24 V DC, 500 mA	TM5SDM8TBFS	0.066/	0.146
Safety digital output modules	2 safety digital outputs, 24 V DC, transistor 0.5 A	TM5SDO2TFS	0.025/	0.055
	2 safety digital outputs, 24 V DC, transistor 2 A	TM5SDO2TAFS	0.025/	0.055
	4 safety digital outputs, 24 V DC, transistor 0.5 A	TM5SDO4TFS	0.025/	0.055
	4 safety digital outputs, 24 V DC, transistor 2 A	TM5SDO4TAFS	0.025/	0.055
	6 safety digital outputs, 24 V DC, transistor 0.2 A	TM5SDO6TBFS	0.025/	0.055
	2 NO safety relay outputs, 230 V AC 6 A	TM5SDO2DTRFS	0.101/	0.223
Safety analog input electronic modules				
Safety analog input modules	4 safety analog inputs, 0..20 mA/4..20 mA 24-bit resolution	TM5SAI4AFS	0.068/	0.150
	4 safety thermocouple inputs: PT100/PT1000 inputs, 24-bit resolution	TM5STI4ATCFS	0.066/	0.146
Safety counter electronic module				
Safety counter module	1 safety counter input, 24 V DC, sink, A-A, A-B, A-A'-B-B' wiring modes, 7 kHz maximum frequency	TM5SDC1FS	0.052/	0.115
Safety bus base for safety I/O electronic modules				
Safety bus base for safety I/O electronic modules	Internal interconnected I/O power supply; 0.13 W power consumption	TM5ACBM3FS	0.020/	0.044
Safety terminal blocks				
Safety terminal blocks	For use with TM5SDI●●●, TM5SDO●●●, TM5SDM4DTRFS and TM5SDC1FS safety modules (24 V DC power supply connected, 12-pin spring terminals, 10 A nominal current per contact)	TM5ACTB52FS	0.020/	0.044
	For use with PT1000 sensors on TM5STI4ATCFS module (24 V DC, 16-pin spring terminals, 10 A nominal current per contact)	TM5ACTB5EFS	0.040/	0.088
	For use with 4-20 mA analog inputs on TM5SAI4AFS module, digital mixed I/O TM5SDM8TBFS module and thermocouple inputs without compensation on TM5STI4ATCFS module (24 V DC, 16-pin spring terminals, 10 A nominal current per contact)	TM5ACTB5FFS	0.037/	0.082
Safety power distribution module				
Safety power distribution module (SPDM)	Power source for specified non-safety-related I/O modules, for use with dedicated TM5ACBM4FS safety bus base (with isolation on left) This supports the predefined safe power-off state for the connected I/O modules (24 V DC, 10 A with integrated safe cut-off function)	TM5SPS10FS	0.080/	0.176
Safety bus base	For use with the TM5SPS10FS safety power distribution module (the internal I/O power supply is isolated on the left)	TM5ACBM4FS	0.059/	0.130
Interface module for distributed safety I/O on Sercos bus				
Sercos bus interface module	Communication module for Sercos III bus	TM5NS31	0.050/	0.110
Power distribution electronic module	Input power supply: 24 V $\bar{\text{---}}$ for Sercos bus, interface, and I/O expansion modules	TM5SPS3 (1)	0.025/	0.055
Bus base	For TM5NS31 and TM5SPS3 electronic modules Supplied with 2 protective plates, TM5ACPL10 and TM5ACPR10	TM5ACBN1	0.020/	0.044
Terminal block	12 spring terminals	TM5ACTB12PS	0.016/	0.035
	For TM5SPS3 electronic module			

(1) Supplied with 2 protective plates, TM5ACPL10 and TM5ACPR10

Modicon TM5

High-Performance and Safe IP20 Modular I/O System
Interface modules for distributed I/O on network and buses

Applications		Data exchange between a control device and fieldbus I/O	
Bus or network		Ethernet network (EtherNet/IP protocol)	
Compatibility		<ul style="list-style-type: none"> ■ Modicon M241 logic controllers ■ Modicon M251 logic controllers ■ Modicon M262 logic/motion controller ■ PacDrive LMC Eco/Pro/Pro2 motion controllers 	
			
Bus or network type		Industrial LAN	
Structure	Physical interface	10BASE-T/100 BASE-TX (2 isolated RJ45 connectors)	
	Access method	CSMA-CD	
	Data rate	10/100 Mbps	
Medium		Double shielded twisted pair via Ethernet ConneXium cabling system	
Configuration with I/O expansion modules	Modicon TM5 modules, Modicon TM7 blocks	Digital I/O modules Analog I/O modules Common distribution modules (TM5 only)	
	Capacity for 1 TM5 interface module	64 TM5/TM7 modules max. including: - Digital I/O: 768 I/O max. - Analog I/O: 364 I/O max.	
	Maximum distances	<ul style="list-style-type: none"> - From the expansion bus (TM5 or TM7): 2,500 m (8,202 ft) - Between 2 TM5 module islands: 100 m (328 ft) - Between 2 TM7 blocks: 100 m (328 ft) - Between 1 TM5 module island and 1 TM7 block: 100 m (328 ft) 	
Certifications		CE cULus cCSAus EAC RCM	
Supply voltage		24 V $\overline{\text{DC}}$ power supply	
Interface module		TM5NEIP1	
To be ordered with	Bus base	TM5ACBN1	
	Power distribution electronic module	TM5SPS3	
	Terminal block	TM5ACTB12PS	
Kit Comprising an interface module, bus base, power distribution electronic module, and terminal block		TM5NEIP1K	
Page		38	

Data exchange between a control device and fieldbus I/O		Data exchange between a control device and fieldbus I/O	
Integrated safety I/O		Integrated safety I/O	
CANopen bus		Sercos bus	
<ul style="list-style-type: none"> ■ Modicon M258 logic controllers ■ LMC058 motion controller ■ LMC078 motion controller ■ Modicon M262 logic/motion controller ■ PacDrive LMC Eco/Pro/Pro2 motion controllers 		<ul style="list-style-type: none"> ■ LMC078 motion controller ■ Modicon M262 logic/motion controller ■ PacDrive LMC Eco/Pro/Pro2 motion controllers 	
			
Bus or network type		CAN fieldbus	
Structure	Physical interface	ISO 11898 (9-way SUB-D connector)	
	Access method	CSMA-MA, multi-master	
	Data rate	10...1,000 Kbps depending on distance	
Medium		Double shielded twisted pair	
Configuration with I/O expansion modules	Modicon TM5 modules, Modicon TM7 blocks	Digital I/O modules Analog I/O modules Common distribution modules (TM5 only)	
	Capacity for 1 TM5 interface module	64 TM5/TM7 modules max. including: - Digital I/O: 768 I/O max. - Analog I/O: 364 I/O max.	
	Maximum distances	<ul style="list-style-type: none"> - From the expansion bus (TM5 or TM7): 2,500 m (8,202 ft) - Between 2 TM5 module islands: 100 m (328 ft) - Between 2 TM7 blocks: 100 m (328 ft) - Between 1 TM5 module island and 1 TM7 block: 100 m (328 ft) 	
Certifications		CE cULus cCSAus EAC RCM DNV-GL LR c	
Supply voltage		24 V $\overline{\text{DC}}$ power supply	
Interface module		TM5NCO1	
To be ordered with	Bus base	TM5ACBN1	
	Power distribution electronic module	TM5SPS3	
	Terminal block	TM5ACTB12PS	
Kit Comprising an interface module, bus base, power distribution electronic module, and terminal block		TM5NCO1K	
Page		40	

Modicon TM5

High-Performance and Safe IP20 Modular I/O System Interface module for distributed I/O over Ethernet

Ethernet network



Industrial Ethernet is the term used to designate the industrial communication protocols that use standard Ethernet physical layers such as EtherNet/IP, TCP, and UDP.

It is possible to connect industrial products (industrial communication protocols), like controllers, variable speed drives, and robots, and products that use proprietary TCP/UDP-based protocols to an Industrial Ethernet network. It is also possible to use different Industrial Ethernet protocols simultaneously on the same network.

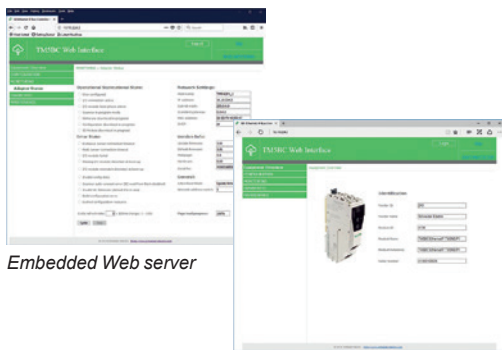
Distributed I/O over Ethernet

The TM5 interface module is designed for creating distributed I/O islands (IP20 and IP67) on the Ethernet network, managed by a master controller, and for exchanging data using the EtherNet/IP protocol between controllers and distributed I/O on the Ethernet network.

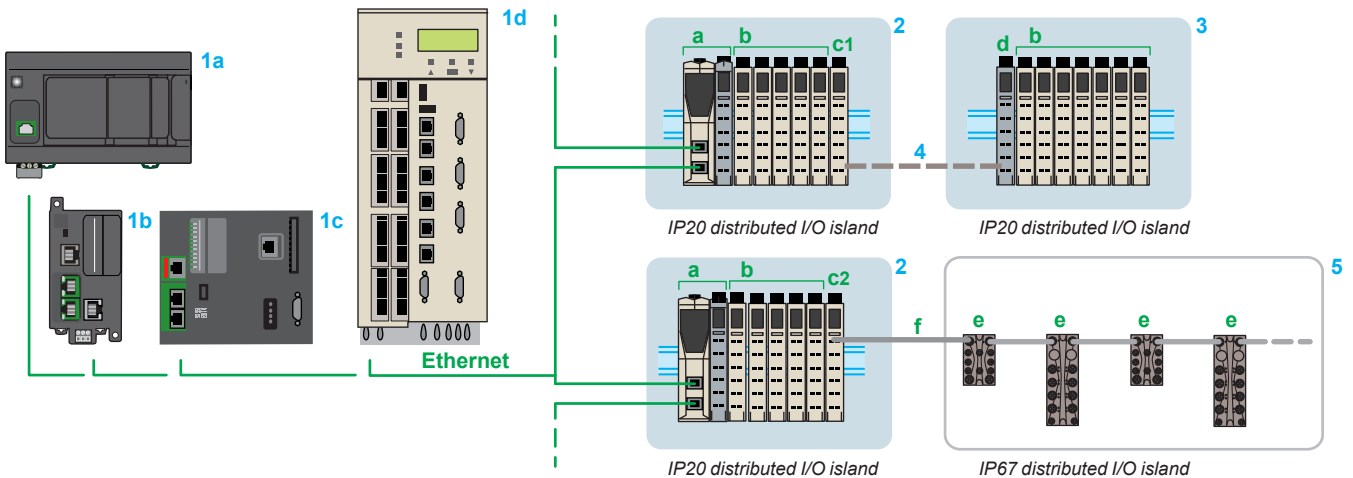
It is compatible with PacDrive LMC Eco/Pro/Pro2 motion controllers, Modicon M241/M251 logic controllers, and the Modicon M262 logic/motion controller.

Special features of the interface module

- Embedded Web server
- Embedded cybersecurity (Achilles L1) and user access rights management via a Web server
- Two Ethernet ports on the front of the module for communicating with the TM5 bus coupler (the second port can be connected to other devices in a daisy chain or ring topology)
 - Ethernet Adapter half duplex/full duplex service, autonegotiation, and auto-MDI/MDIX supported
 - 10/100 Mbps data exchange rate
 - DHCP client



Embedded Web server

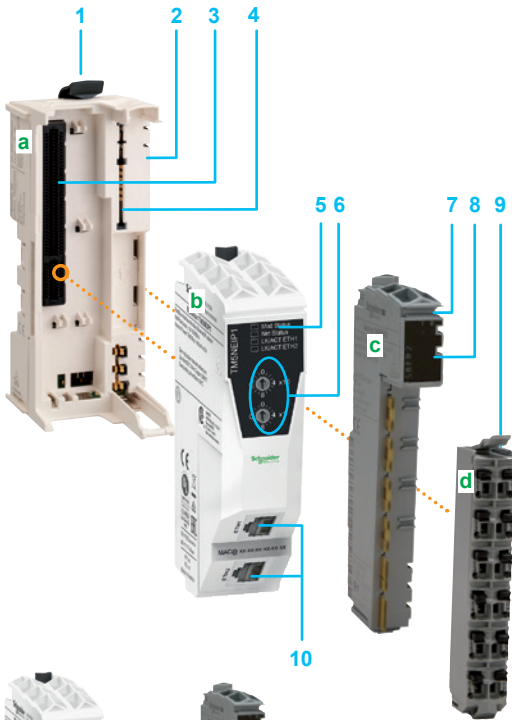


- 1 a Modicon M241 logic controller b Modicon M251 logic controller c Modicon M262 logic/motion controller d PacDrive LMC Eco/Pro/Pro2 motion controllers: Ethernet network masters
- 2 TM5 Ethernet interface module (slave) (a) + TM5 modules (b) + TM5SBET1 (c1)/TM5SBET7 (c2) transmitter modules
- 3 TM5SBER2 receiver module (d) + TM5 I/O modules (b)
- 4 TM5 expansion bus: TCSXCNNXN100 remote I/O connection cable
- 5 Modicon TM7 blocks (1) (digital or analog I/O) (e) + TM7TCSXC�E bus expansion cable (f)

(1) Modicon TM7, please refer to catalog ref. [DIA3ED2140405EN](#)

Modicon TM5

High-Performance and Safe IP20 Modular I/O System
Interface module for distributed I/O over Ethernet



Description

The Ethernet interface module comprises four parts to be ordered separately:

- a TM5ACBN1 bus base (a)
- a TM5NEIP1 network interface electronic module (b)
- a TM5SPS3 power distribution electronic module (c)
- a TM5ACTB12PS removable terminal block (d)

The Ethernet interface module can also be ordered as a complete kit comprising all these parts.

These modules can be mechanically assembled on the bus base before mounting on a symmetrical rail. They offer the following advantages:

- A removable terminal block
- Spring terminals that can be used for quick, tool-free connection of the power supply for the interface module and the I/O expansion modules (the quality of the spring terminals avoids the need for periodic retightening)

This assembly comprises:

- 1 A bus expansion connection on the side of the base to provide the link with the adjacent module
- 2 A mechanical clip for locking onto a symmetrical rail
- 3 A slot for the Ethernet interface module with terminals
- 4 A slot for the power distribution module with terminals
- 5 An LED display block for the interface module channels and diagnostics
- 6 Two rotary switches for address selection on the bus
- 7 A slot for the plain text cover holder (label holder)
- 8 An LED display block for the power distribution module channels and diagnostics
- 9 A removable spring terminal block with locking clip and slots for colored ID markers
- 10 Two RJ45 connectors for the Ethernet network connection (network connected/ network disconnected)

References

Description	Characteristics	Reference	Weight kg/lb
Ethernet network interface module	With EtherNet/IP protocol	TM5NEIP1	0.050/ 0.110
Power distribution electronic module	Input power supply: 24 V $\overline{\text{DC}}$ for Ethernet network, the interface, and I/O expansion modules	TM5SPS3 (1)	0.025/ 0.055
Bus base	For TM5NEIP1 and TM5SPS3 electronic modules Supplied with 2 protective plates, TM5ACPL10 and TM5ACPR10	TM5ACBN1	0.020/ 0.044
Terminal block	12 spring terminals For TM5SPS3 power distribution electronic module	TM5ACTB12PS	0.016/ 0.035

Ethernet interface kit

Description	Composition	Reference	Weight kg/lb
Kit comprising:	TM5NEIP1	TM5NEIP1K	0.075/ 0.165
- an Ethernet interface module	+ TM5SPS3		
- a bus base	+ TM5ACBN1		
- a power distribution electronic module	+ TM5ACTB12PS		
- a terminal block			

Configuration software

EcoStruxure Machine Expert software, please refer to catalog ref. [DIA3ED2180701EN](#)

Accessories

See [page 44](#)

(1) Supplied with 2 protective plates, TM5ACPL10 and TM5ACPR10

Modicon TM5

High-Performance and Safe IP20 Modular I/O System
Interface module for distributed I/O on CANopen bus

CANopen bus

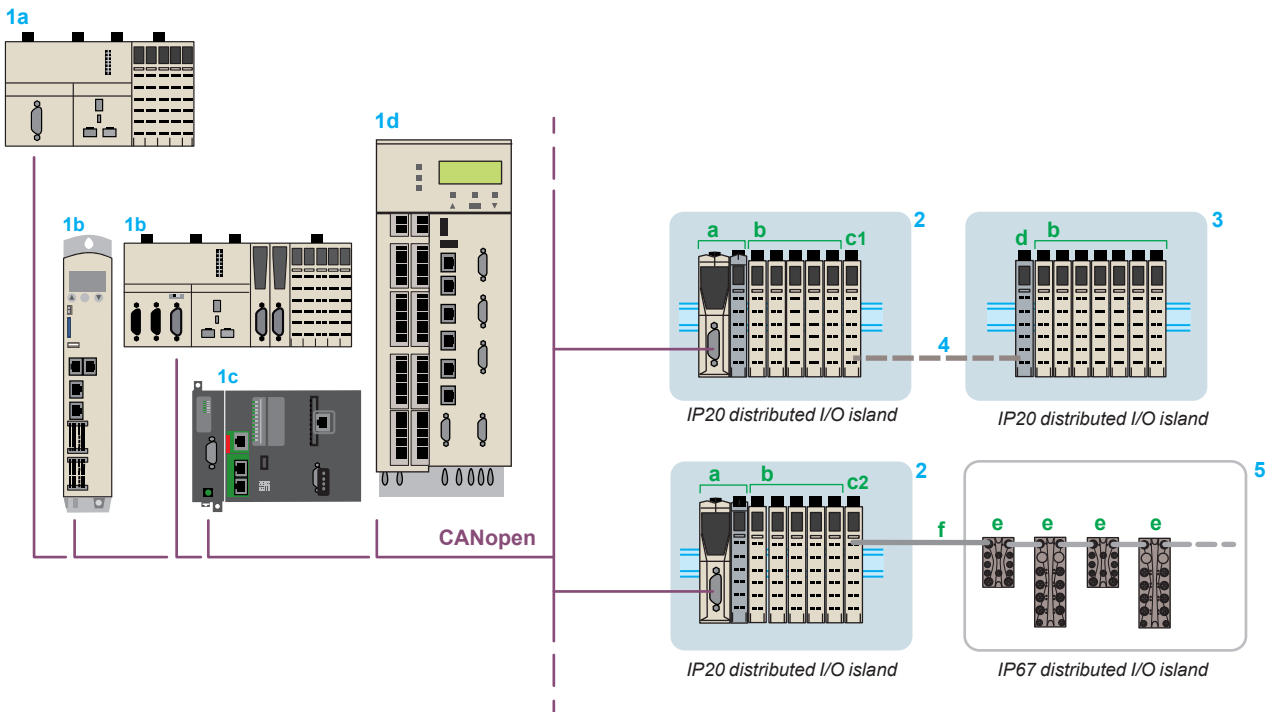


The CANopen fieldbus is specially designed to be integrated into control systems. It provides openness and interoperability for various devices (drives, motor starters, smart sensors, etc.). Having CANopen connectivity at several levels can help to reduce costs and optimize creation of the control system. It offers the following advantages:

- Quicker wiring time
- More reliable load
- Flexibility when adding or removing devices, as well as easier installation

Distributed I/O on CANopen bus

The TM5 interface module is designed for creating distributed I/O islands (IP20 and IP67) on the CANopen bus. It is compatible with Modicon M258 logic controllers, Modicon LMC058 and Modicon LMC078 motion controllers, and the Modicon M262 logic/motion controller (equipped with its **TM5NCO1** communication module for CANopen bus).

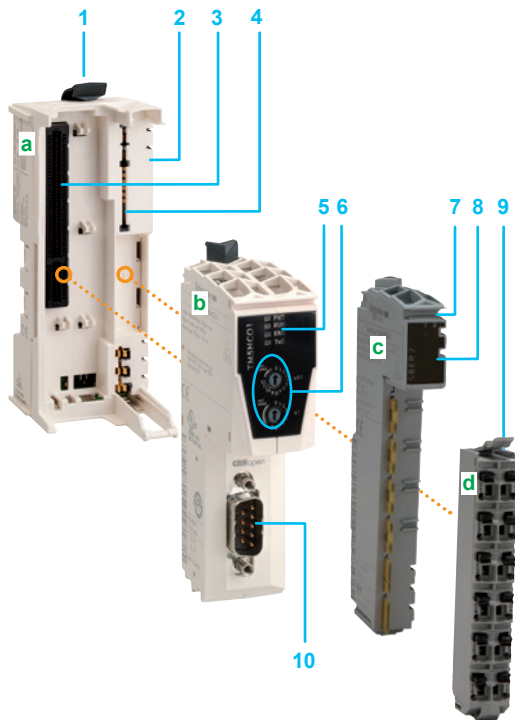


- 1 a M258 logic controller b Modicon LMC058 or Modicon LMC078 motion controller c **TM5NCO1** communication module and Modicon M262 logic/motion controller d PacDrive LMC Eco/Pro/Pro2 motion controllers: CANopen bus masters
- 2 TM5 CANopen interface module (slave) (a) + TM5 modules (b) + TM5SBET1 (c1)/TM5SBET7 (c2) transmitter modules
- 3 TM5SBER2 receiver module (d) + TM5 I/O modules (b)
- 4 TM5 expansion bus: TCSXCNNXN100 remote I/O connection cable
- 5 Modicon TM7 blocks (1) (digital or analog I/O) (e) + TM7TCSXC�E bus expansion cable (f)

(1) Modicon TM7, please refer to catalog ref. [DIA3ED2140405EN](#)

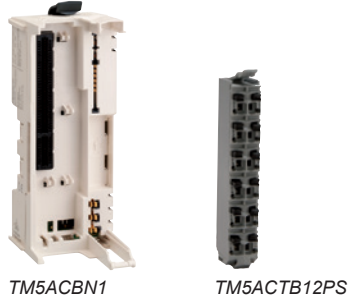
Modicon TM5

High-Performance and Safe IP20 Modular I/O System
Interface module for distributed I/O on CANopen bus



TM5NCO1

TM5SPS3



TM5ACBN1

TM5ACTB12PS



TM5NCO1K

Description

The TM5 CANopen interface module comprises four parts to be ordered separately:

- a TM5ACBN1 bus base (a)
- a TM5NCO1 CANopen electronic interface module (b)
- a TM5SPS3 power distribution electronic module (c)
- a TM5ACTB12PS removable terminal block (d)

The CANopen interface module can also be ordered as a complete kit comprising all these parts.

These modules can be mechanically assembled on the bus base before mounting on a symmetrical rail.

They offer the following advantages:

- Removable connector
- Spring terminals that can be used for quick, tool-free connection of the power supply for the interface module and the I/O expansion modules (the quality of the spring terminals avoids the need for periodic retightening)

This assembly comprises:

- 1 A mechanical clip for locking onto a symmetrical rail
- 2 A bus expansion connection on the side of the base to provide the link with the adjacent module
- 3 A slot for the CANopen interface module with connector
- 4 A slot for the power distribution module with connector
- 5 An LED display block for the interface module channels and diagnostics
- 6 Two rotary switches for address selection on the bus
- 7 A slot for the plain text cover holder (label holder)
- 8 An LED display block for the power distribution module channels and diagnostics
- 9 A removable spring terminal block with locking clip and slots for colored ID markers
- 10 A 9-way male SUB-D connector for the CANopen bus connection

References

Description	Characteristics	Reference	Weight kg/lb
CANopen bus interface module	With CANopen protocol	TM5NCO1	0.050/ 0.110
Power distribution electronic module	Input power supply: 24 V \pm for CANopen bus, interface, and I/O expansion modules	TM5SPS3 (1)	0.025/ 0.055
Bus base	For TM5NCO1 and TM5SPS3 electronic modules Supplied with 2 protective plates, TM5ACPL10 and TM5ACPR10	TM5ACBN1	0.020/ 0.044
Terminal block	12 spring terminals For TM5SPS3 power distribution electronic module	TM5ACTB12PS	0.016/ 0.035

CANopen interface kit

Description	Composition	Reference	Weight kg/lb
Kit comprising:	TM5NCO1	TM5NCO1K	0.120/ 0.264
- a CANopen interface module	+ TM5SPS3		
- a bus base	+ TM5ACBN1		
- a power distribution electronic module	+ TM5ACTB12PS		
- a terminal block			

Configuration software

- EcoStruxure Machine Expert software, please refer to catalog ref. [DIA3ED2180701EN](#)
- Performance distributed I/O configuration software, please visit our website www.schneider-electric.com

Accessories

See [page 44](#)

(1) Supplied with 2 protective plates, TM5ACPL10 and TM5ACPR10

Modicon TM5

High-Performance and Safe IP20 Modular I/O System
Interface module for distributed I/O on Sercos bus

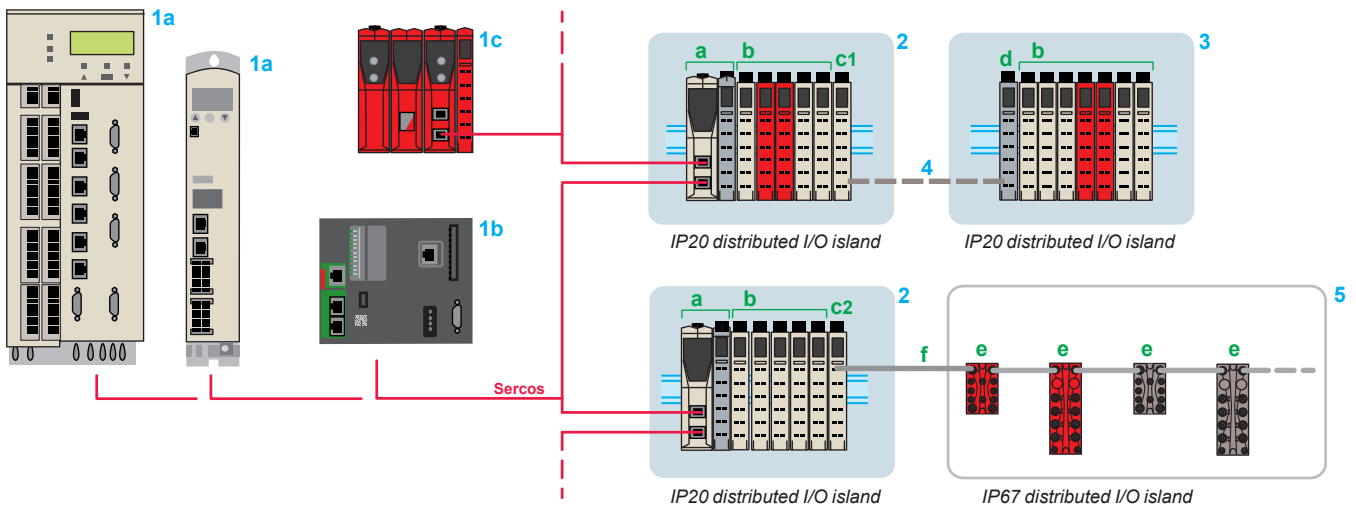
Sercos bus



Fully embedded real-time communication: The Sercos bus smooths the way for integrating safety-related control systems. It can have a line, tree, or ring topology. Sercos is a true standard; it does not rely upon a specific manufacturer.

Distributed I/O on Sercos bus

The TM5 interface module is a bus coupler, designed for creating distributed I/O islands (IP20 and IP67) on the Sercos bus. It is compatible with PacDrive LMC Eco/Pro/Pro2 motion controllers, and the Modicon M262 logic/motion controller.



- 1 a PacDrive LMC Eco/Pro/Pro2 motion controllers b Modicon M262 logic/motion controller: Sercos bus master
c Modicon TM5CSLC safety logic controller: Sercos bus slave
- 2 TM5 interface module (a) + TM5 compact block, I/O modules, safety I/O modules (b) + TM5SBET1 (c1)/TM5SBET7 (c2) transmitter modules
- 3 TM5SBER2 receiver module (d) + TM5 compact block or TM5 I/O modules (b)
- 4 TM5 expansion bus: TCSXCNNXN100 remote I/O connection cable
- 5 Modicon TM7 blocks (1) (digital, analog, or safety I/O) (e) + TM7TCSXCN●●●E bus expansion cable (f)

(1) Modicon TM7, please refer to catalog ref. [DIA3ED2140405EN](#)

Modicon TM5

High-Performance and Safe IP20 Modular I/O System
Interface module for distributed I/O on Sercos bus

Description

The TM5 Sercos interface module comprises four parts to be ordered separately:

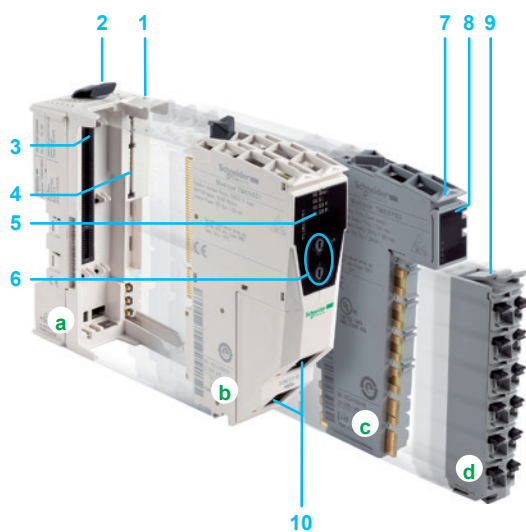
- a TM5ACBN1 bus base (a)
- a TM5NS31 interface electronic module (b)
- a TM5SPS3 power distribution electronic module (c)
- a TM5ACTB12PS removable terminal block (d)

These modules can be mechanically assembled on the bus base before mounting on a symmetrical rail. They offer the following advantages:

- A removable terminal block
- Spring terminals that can be used for quick, tool-free connection of the power supply for the interface module and the I/O expansion modules (the quality of the spring terminals avoids the need for periodic retightening)

This assembly comprises:

- 1 A bus expansion connection on the side of the base to provide the link with the adjacent module
- 2 A mechanical clip for locking onto a symmetrical rail
- 3 A slot for the Sercos interface module with terminals
- 4 A slot for the power distribution module with terminals
- 5 An LED display block for the interface module channels and diagnostics
- 6 Two rotary switches for address selection on the bus
- 7 A slot for the plain text cover holder (label holder)
- 8 An LED display block for the power distribution module channels and diagnostics
- 9 A removable spring terminal block with locking clip and slots for colored ID markers
- 10 Two RJ45 connectors for the Sercos bus connection (bus connected/bus disconnected)



TM5NS31



TM5SPS3



TM5ACBN1



TM5ACTB12PS

References

Description	Characteristics	Reference	Weight kg/lb
Sercos bus interface module	Communication module for Sercos III bus	TM5NS31	0.050/ 0.110
Power distribution electronic module	Input power supply: 24 V \pm for Sercos bus, interface, and I/O expansion modules	TM5SPS3 (1)	0.025/ 0.055
Bus base	For TM5NS31 and TM5SPS3 electronic modules Supplied with 2 protective plates, TM5ACPL10 and TM5ACPR10	TM5ACBN1	0.020/ 0.044
Terminal block	12 spring terminals For TM5SPS3 power distribution electronic module	TM5ACTB12PS	0.016/ 0.035

Accessories

See [page 44](#)

Configuration software

EcoStruxure Machine Expert software, please refer to catalog ref. [DIA3ED2180701EN](#)

(1) Supplied with 2 protective plates, TM5ACPL10 and TM5ACPR10

Modicon TM5

High-Performance and Safe IP20 Modular I/O System Accessories



TM5ACTCH100



TM5ACTLC100



TM5ACLPL10



TM5ACLPR10



TM5ACLITW1



TM5ACLT1



TM5ACADL100

References

Modicon TM5 accessories

Description	Use	Color	Sold in lots of	Unit reference	Weight kg/lb
Plain text cover holder (label-holder)	For labeling the I/O channels on the terminal blocks	Transparent	100	TM5ACTCH100	0.002/0.004
Plain text cover holder locking clip <i>(to be ordered with plain text cover holder TM5ACTCH100)</i>	For locking the plain text cover holder TM5ACTCH100	Transparent	100	TM5ACTLC100	0.001/0.002
Precut legend strips of paper (A4 format)	Plain text cover holder TM5ACTCH100	White	100	TM5ACTLS100	0.001/0.002
Colored plastic ID markers	For labeling the 16 channel connection terminals	White	1	TM5ACLITW1	0.015/0.033
		Red	1	TM5ACLITR1	0.015/0.033
		Blue	1	TM5ACLITB1	0.015/0.033
Metal tool	For inserting/removing TM5ACLIT●1 ID markers	Black	1	TM5ACLIT1	0.030/0.066
Retaining plates for bus bases	Held on the left side	White	10	TM5ACLPL10	0.004/0.009
	Held on the right side	White	10	TM5ACLPR10	0.004/0.009
Locking clips	Modules	Black	100	TM5ACADL100	0.001/0.002

T	
TCSXCNNXN100	27
TM2XMTGB	21
TM5ACADL100	44
TM5ACBM01R	27
	31
TM5ACBM3FS	35
TM5ACBM4FS	35
TM5ACBM05R	27
	31
TM5ACBM11	13
	21
	25
	27
	29
	30
TM5ACBM12	15
TM5ACBM15	13
	21
	25
	27
	30
TM5ACBN1	35
	37
	39
	41
	43
TM5ACLITB1	44
TM5ACLITR1	44
TM5ACLITW1	44
TM5ACLPL10	44
TM5ACLPR10	44
TM5ACL1	44
TM5ACSLCM8FS	33
TM5ACTB5EFS	35
TM5ACTB5FFS	35
TM5ACTB06	13
	21
	27
	29
	30
TM5ACTB12	13
	21
	25
	27
	29
	30
TM5ACTB12PS	27
	31
	35
	37
	39
	41
	43
TM5ACTB16	13
TM5ACTB32	15
TM5ACTB52FS	35
TM5ACTCH100	44
TM5ACTLC100	44
TM5ACTLS100	44
TM5C12D8T	17
TM5C24D12R	17
TM5C24D18T	17
TM5CSLC100FS	33
TM5CSLC200FS	33
TM5NCO1	41
TM5NCO1K	41
TM5NEIP1	39
TM5NEIP1K	39
TM5NS31	35
	43
TM5SAI2H	21
TM5SAI2L	21
TM5SAI2PH	21
TM5SAI2TH	21
TM5SAI4AFS	35
TM5SAI4H	21
TM5SAI4HK	21
TM5SAI4L	21
TM5SAI4LK	21
TM5SAI4PH	21
TM5SAI6TH	21
TM5SAO2H	21
TM5SAO2L	21
TM5SAO4H	21
TM5SAO4L	21
TM5SAO4LK	21
TM5SBER2	27
TM5SBET1	27
TM5SBET7	27
TM5SD000	30
TM5SDC1FS	35
TM5SDI2DF	25
TM5SDI2DFS	35
TM5SDI4A	15
TM5SDI4D	13
TM5SDI4DFS	35
TM5SDI6D	13
TM5SDI6U	15
TM5SDI12D	13
TM5SDI12DK	13
TM5SDI16D	13
TM5SDI20DFS	35
TM5SDM4DTRFS	35
TM5SDM8DTS	13
TM5SDM8TBFS	35
TM5SDM12DT	13
TM5SDO2DTRFS	35
TM5SDO2R	15
TM5SDO2S	15
TM5SDO2TAFS	35
TM5SDO2TFS	35
TM5SDO4R	15
TM5SDO4RK	15
TM5SDO4T	13
TM5SDO4TA	13
TM5SDO4TAFS	35
TM5SDO4TFS	35
TM5SDO6T	13
TM5SDO6TBFS	35
TM5SDO8TA	13
TM5SDO12T	13
TM5SDO12TK	13
TM5SDO16T	13
TM5SE1IC01024	25
TM5SE1IC02505	25
TM5SE1IC20005	25
TM5SE1MISC20005	25
TM5SE1RS2	29
TM5SE1SC10005	25
TM5SE2IC01024	25
TM5SMM6D2L	13
TM5SPDD12F	30
TM5SPDG6D6F	30
TM5SPDG12F	30
TM5SPS1	31
TM5SPS1F	31
TM5SPS2	31
TM5SPS2F	31
TM5SPS3	35
	37
	39
	41
	43
TM5SPS10FS	35
TM5STI4ATCFS	35
TWDXMT5	21

Life Is On



A trusted partner of Schneider Electric



Learn more about our products at
www.schneider-electric.com

The information provided in this documentation contains general descriptions and/or technical characteristics of the performance of the products contained herein. This documentation is not intended as a substitute for and is not to be used for determining suitability or reliability of these products for specific user applications. It is the duty of any such user or integrator to perform the appropriate and complete risk analysis, evaluation and testing of the products with respect to the relevant specific application or use thereof. Neither Schneider Electric nor any of its affiliates or subsidiaries shall be responsible or liable for misuse of the information contained herein.

Design: Schneider Electric
Photos: Schneider Electric

Schneider Electric Industries SAS

Head Office
35, rue Joseph Monier - CS 30323
F-92500 Rueil-Malmaison Cedex
France

DIA3ED2131204EN
January 2020 - V3.1

Wildcat Electric Supply/CED

www.wildcatelectric.com

7136760600

adam.burd@wildcatelectric.com