

# Energy Meter Kits



Install an energy meter kit for a fast and easy energy management solution. With an included meter, enclosure, and LVCT, the meter kit is customizable according to your needs and easily installed. This compact, energy management solution allows you to understand energy use, meet compliance codes, access tenant sub-metering and improve energy costs.

## Applications

- Energy code compliance / Green certifications
- Cost allocation / Tenant sub-metering
- Understand energy consumption / Performance contracting
- Energy management / Load shed / Demand response

## Benefits

- Streamlined offer
- Easy selection
- Less kits to stock

## All energy meter kits include:

### Versatile single-phase/three-phase smart meter (A9MEM3455)

- Input voltage up to 277V Line to Neutral (L-N), up to 480V Line to Line (L-L)
- Signed, four-quadrant measurement of active and reactive energy delivered and received
- Real-time measurement of voltage, current, power, frequency, and power factor provide greater detail on energy usage
- Password-protected user interface with 3-line LCD display
- Wide -25° to +70° C temperature range
- Features for energy codes
  - Instantaneous kW demand with selectable interval
  - Manually resettable peak kW demand
  - Manually resettable cumulative energy measurement (kWh)
- Features for integration
  - RS-485 Modbus communications
  - Digital output for energy pulsing or overload alarm
  - Digital input for status, tariff control, or input monitoring
- Certifications and approvals
  - Revenue grade ANSI C12.20 class 0.5S accuracy
  - UL and CSA listed
  - California CTEP approved (specific models and low voltage current transformers)
- Meter optionally available in factory assembled multi-meter unit enclosures containing up to 24 meters

## Sturdy, attractive housing (EM3500ENC)

- NEMA Type 4X enclosure rating for indoor/outdoor durability, protects meter from tampering and the elements
- DIN-rail mounting hardware for easy installation
- Internal swing panel for extra protection from tampering
- Provides multiple methods for securing enclosure:
  - Hinged lid with secure clasp
  - Screws to prevent opening by unauthorized persons if a locking mechanism is not used
  - Hasp for a locking mechanism (not included) or seal
- UL/CUL listed

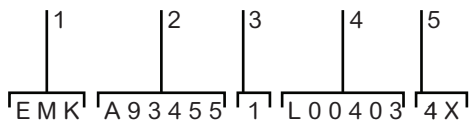
## Low voltage current transducers (LVCT series)

- 1, 2, or 3 provided per kit selection
- Choice of 50A, 100A, 200A, 400A, 800A, 1200A, 1600A, 2000A, 2400A split-core; or 100A, 200A, 400A solid-core (Contact factory for other ranges)
- Non-proprietary 0.333 Vac output signal
- High accuracy:  $\pm 1\%$  from 10% to 100% of rated current for split core;  $\pm 0.5\%$  from 5% to 120% of rated current for solid core
- 6 foot (1.8 m) lead length
- UL Recognized

## Kit selection

### Energy meter kits for 120V and 277V L-N systems (supplied with one LVCT)

Ampacity	LVCT Core Type	Kit Number
50	Split	EMK A93455 1 L00050 4X
100	Split	EMK A93455 1 L00101 4X
200	Split	EMK A93455 1 L00201 4X
400	Split	EMK A93455 1 L00403 4X
800	Split	EMK A93455 1 L00804 4X
100	Solid	EMK A93455 1 L20100 4X
200	Solid	EMK A93455 1 L20202 4X
400	Solid	EMK A93455 1 L20403 4X



Ordering example: EMK A93455 1 L00403 4X

- 1 EMK = Energy meter kit
- 2 A93455 = A9MEM3455 meter
- 3 1 = Supplied with 1 LVCT
- 4 L00403 = LVCT00403S low voltage current transducer(s)
- 5 4X = NEMA Type 4X enclosure

## Energy meter kits for 120/208V-240V L-L-N systems (supplied with two LVCTs)

Ampacity	LVCT Core Type	Kit Number
50	Split	EMK A93455 2 L00050 4X
100	Split	EMK A93455 2 L00101 4X
200	Split	EMK A93455 2 L00201 4X
400	Split	EMK A93455 2 L00403 4X
800	Split	EMK A93455 2 L00804 4X
100	Solid	EMK A93455 2 L20100 4X
200	Solid	EMK A93455 2 L20202 4X
400	Solid	EMK A93455 2 L20403 4X
100	Solid*	EMK AC3455 2 LC0100 4X
200	Solid*	EMK AC3455 2 LC0200 4X

\* California CTEP approved LVCTs and meter

## Energy meter kits for 208Y/120V or 480Y/277V L-L-L-N systems; 240V or 480V L-L-L Delta systems (supplied with three LVCTs)

Ampacity	LVCT Core Type	Kit Number
100	Split	EMK A93455 3 L00101 4X
200	Split	EMK A93455 3 L00201 4X
400	Split	EMK A93455 3 L00403 4X
800	Split	EMK A93455 3 L00804 4X
1000	Split	EMK A93455 3 L01004 4X
1200	Split	EMK A93455 3 L01204 4X
1600	Split	EMK A93455 3 L01604 4X
2000	Split	EMK A93455 3 L02004 4X
2400	Split	EMK A93455 3 L02404 4X
100	Solid	EMK A93455 3 L20100 4X
200	Solid	EMK A93455 3 L20202 4X
400	Solid	EMK A93455 3 L20403 4X

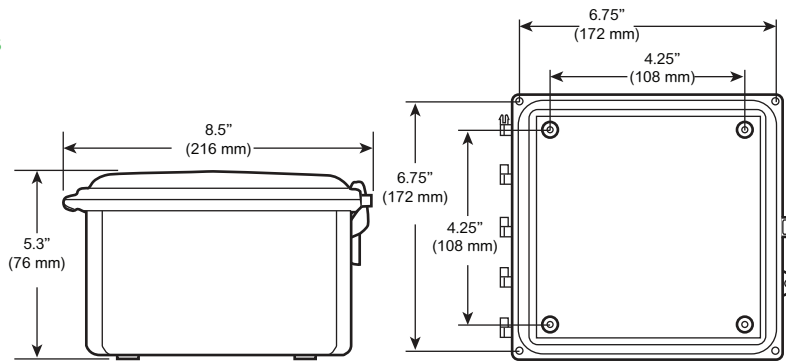
## Complimentary Products

### Energy Meter Accessories

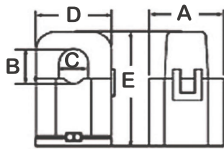
Part Number	Description
EMFP1	Energy meter fuse pack, set of 1
EMFP2	Energy meter fuse pack, set of 2
EMFP3	Energy meter fuse pack, set of 3
EMBOND	Energy meter bonding kit
EM3500ENC4	4 meter NEMA Type 4X enclosure*

\* Not available in a kit - Order meter and LVCTs separately

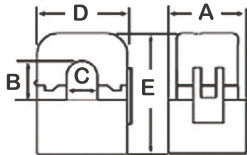
## Enclosure Dimensions



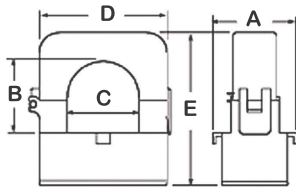
## LVCT Dimensions



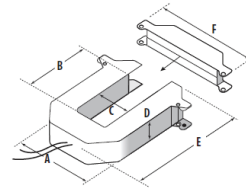
LVCT00050S Only  
 A = 1.0" (26 mm)  
 B = 0.5" (11 mm)  
 C = 0.4" (10 mm)  
 D = 0.9" (23 mm)  
 E = 1.6" (40 mm)



LVCT00101S Only  
 A = 1.5" (39 mm)  
 B = 0.8" (20 mm)  
 C = 0.7" (16 mm)  
 D = 1.6" (40 mm)  
 E = 2.1" (53 mm)

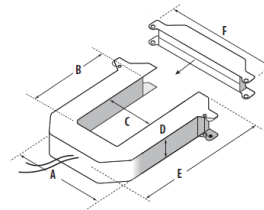


LVCT00201S Only  
 A = 1.5" (39 mm)  
 B = 1.25" (32 mm)  
 C = 1.25" (32 mm)  
 D = 2.5" (64 mm)  
 E = 2.8" (71 mm)

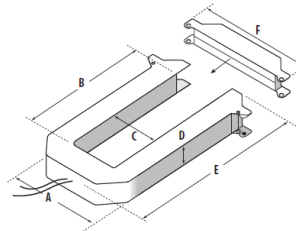


All Other Split-Core Models

100 - 300 Amp  
 A = 3.8" (95 mm)  
 B = 1.5" (38 mm)  
 C = 1.3" (32 mm)  
 D = 1.1" (29 mm)  
 E = 3.9" (107 mm)  
 F = 4.8" (121 mm)

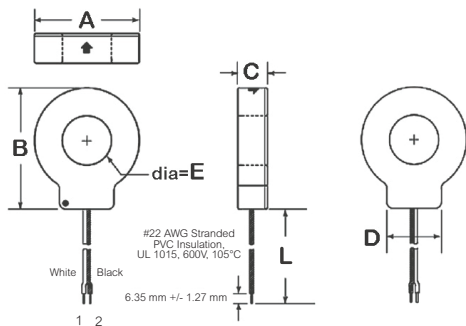


400 - 800 Amp  
 A = 4.9" (124 mm)  
 B = 2.9" (73 mm)  
 C = 2.5" (62 mm)  
 D = 1.1" (29 mm)  
 E = 5.3" (141 mm)  
 F = 5.9" (150 mm)



800 - 2400 Amp  
 A = 4.9" (124 mm)  
 B = 5.5" (140 mm)  
 C = 2.5" (62 mm)  
 D = 1.1" (29 mm)  
 E = 8.1" (207 mm)  
 F = 5.9" (150 mm)

## Solid-core CT Dimensions



Model	L	A	B	C	D	E
LVCT20050	6"	1.3"	1.5"	0.7"	0.8"	0.4"
LVCT20100	(1.8 m)	(33 mm)	(38 mm)	(18 mm)	(21 mm)	(10 mm)
LVCT20202	6"	2.3"	2.6"	0.7"	1.2"	1.0"
LVCT20403	(1.8 m)	(59 mm)	(66 mm)	(18 mm)	(31 mm)	(25 mm)
LVCT20403	6"	2.8"	3.2"	1.0"	1.4"	1.25"
	(1.8 m)	(70 mm)	(82 mm)	(25 mm)	(36 mm)	(31 mm)

Wildcat Electric Supply/CED

www.wildcatelectric.com

7136760600

adam.burd@wildcatelectric.com



Authorized Partner

Schneider Electric

6700 Tower Circle  
 Franklin, TN 37067  
 1-888-797-6468

Life Is On

Schneider  
 Electric